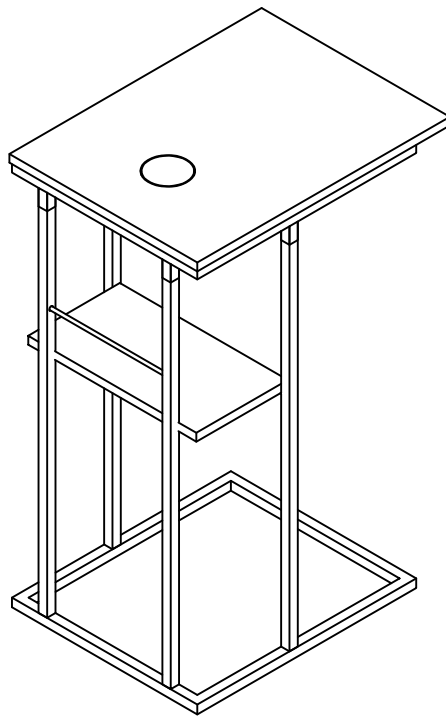


ASSEMBLY INSTRUCTIONS /  
INSTRUCTIONS D'ASSEMBLAGE

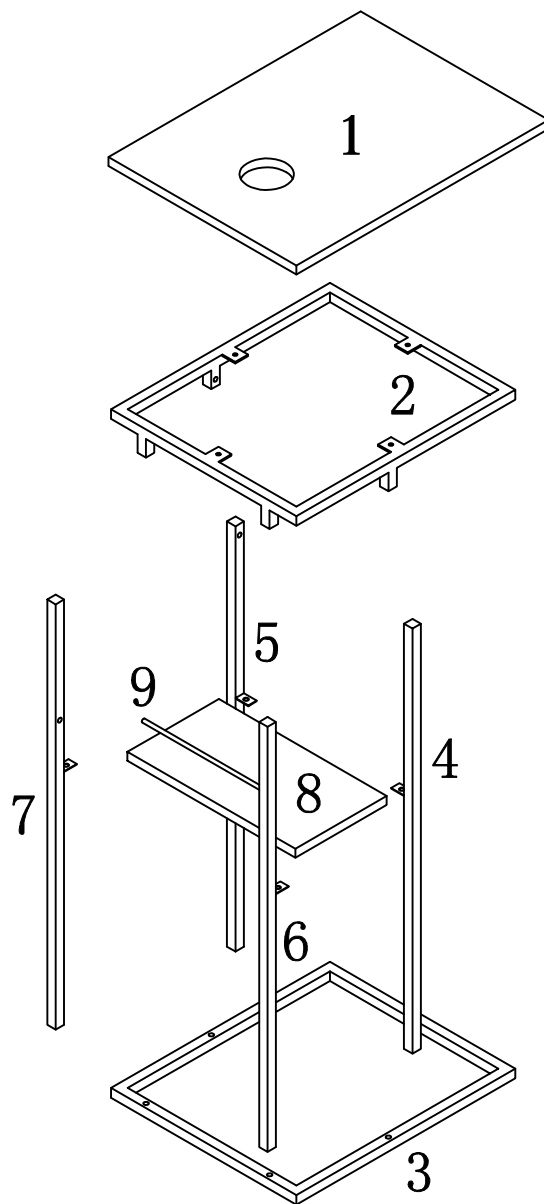
---

ITEM NO/NO ARTICLE: BYRONCST/243279



# PARTS IDENTIFICATIONS / IDENTIFICATION DES PIECES



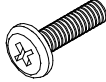

ITEM NO/NO ARTICLE: BYRONCST/243279



(1)	1pc/pce	(6)	1pc/pce
(2)	1pc/pce	(7)	1pc/pce
(3)	1pc/pce	(8)	1pc/pce
(4)	1pc/pce	(9)	1pc/pce
(5)	1pc/pce		

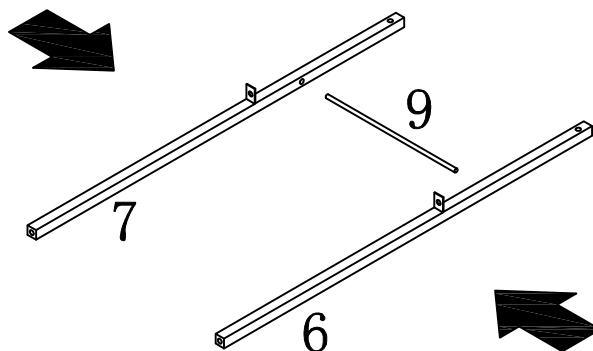
HARDWARE IDENTIFICATIONS/  
IDENTIFICATION DU KIT D'ASSEMBLAGE

ITEM NO/NO ARTICLE: BYRONCST/243279

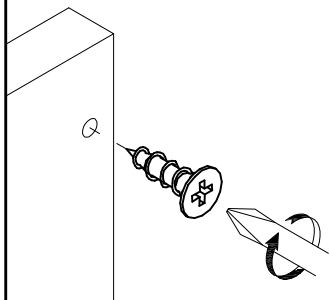
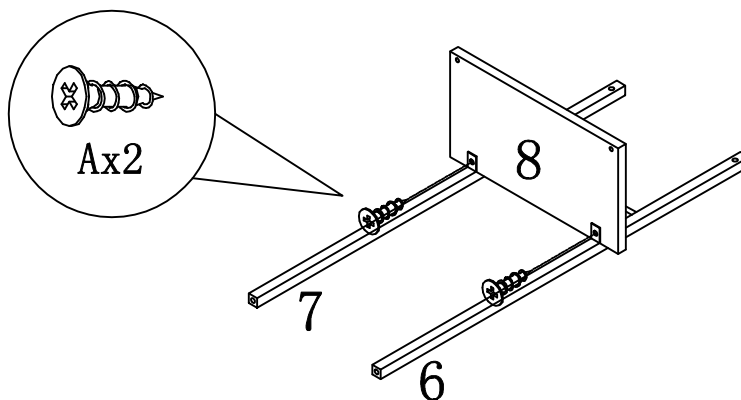
A		$\Phi 3.5 \times 12$	8pcs/pces
B		$\Phi 6 \times 8$	4pcs/pces
C		$\Phi 6 \times 20$	4pcs/pces
D			1pc/pce

# ITEM NO/NO ARTICLE: BYRONCST/243279

## STEP 1 / ETAPE 1



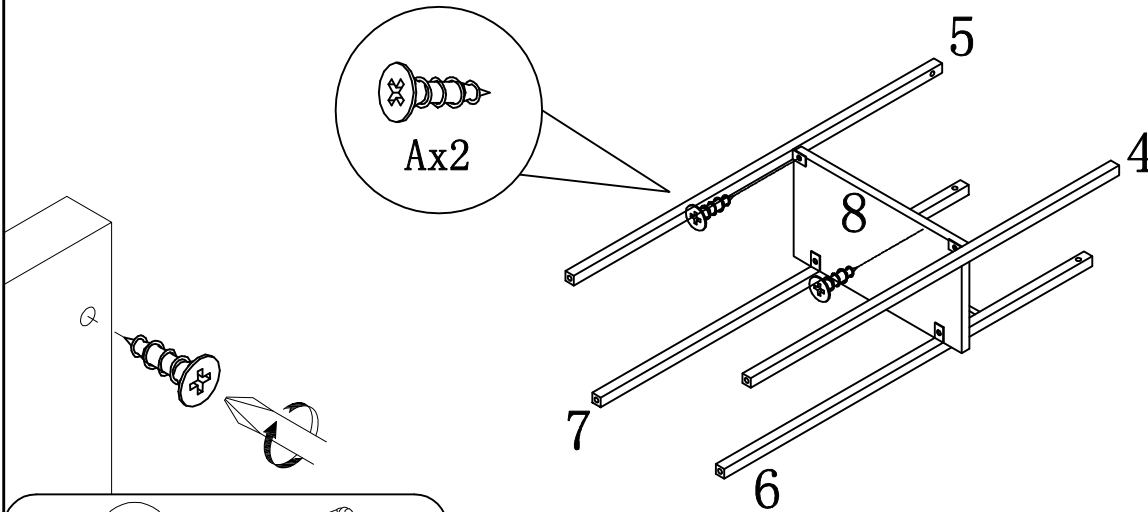
## STEP 2 / ETAPE 2



TOOLS REQUIRED (NOT INCLUDED)  
OUTILS REQUIS (NON COMPRIS)

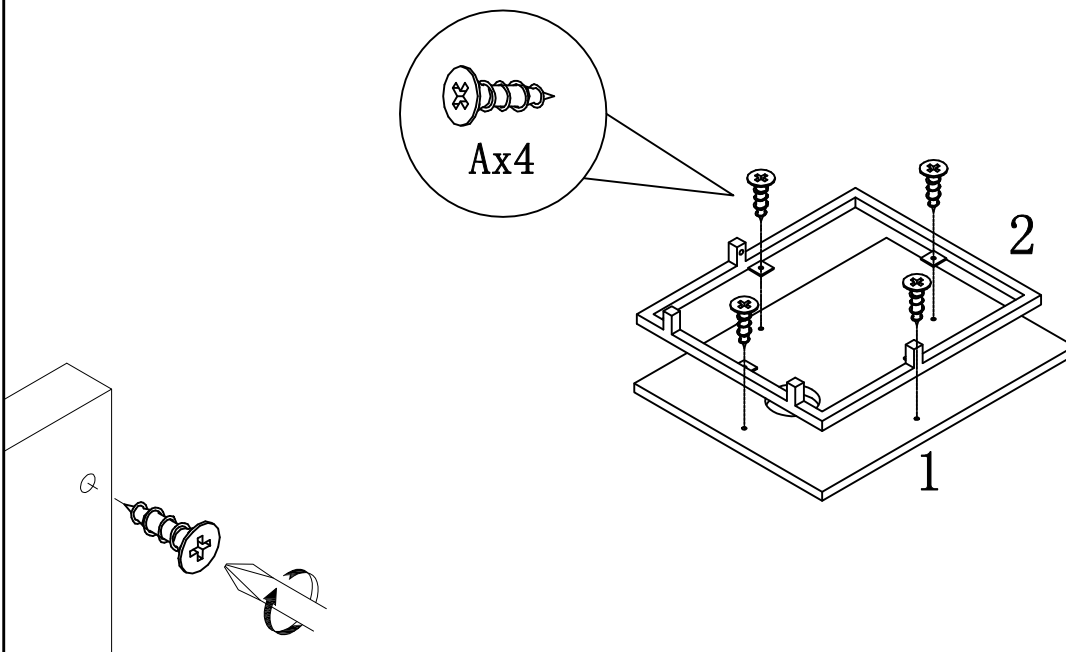
# ITEM NO/NO ARTICLE: BYRONCST/243279

## STEP 3 / ETAPE 3



TOOLS REQUIRED (NOT INCLUDED)  
OUTILS REQUIS (NON COMPRIS)

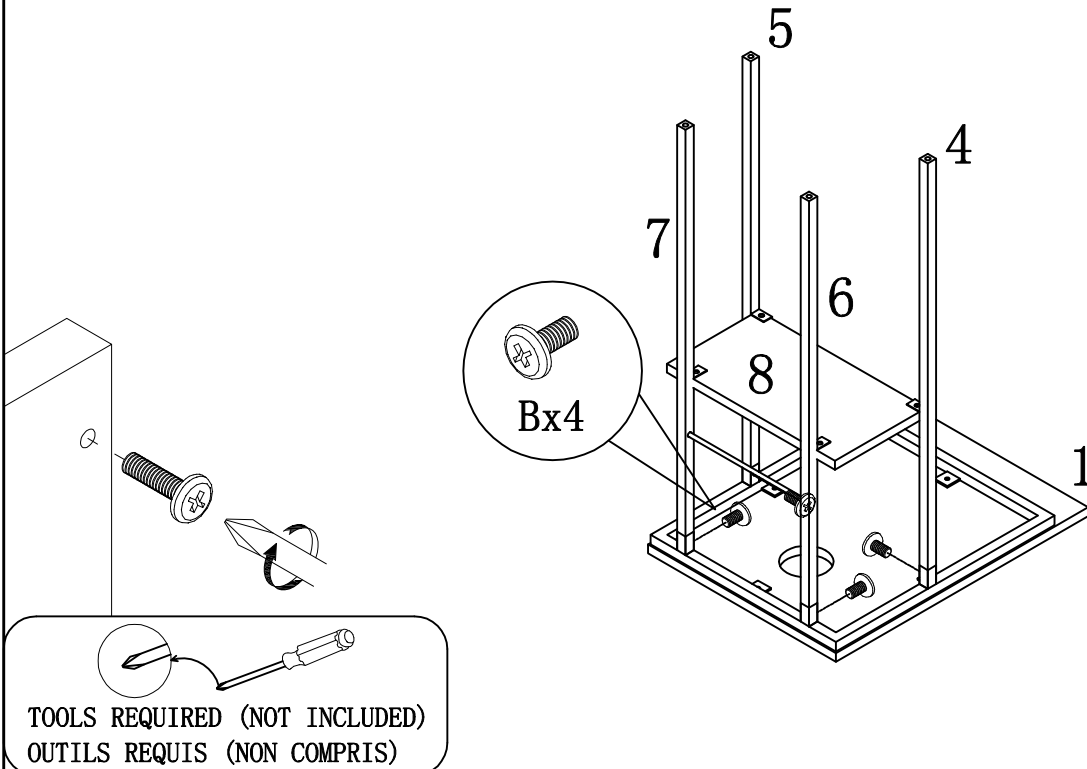
## STEP 4 / ETAPE 4



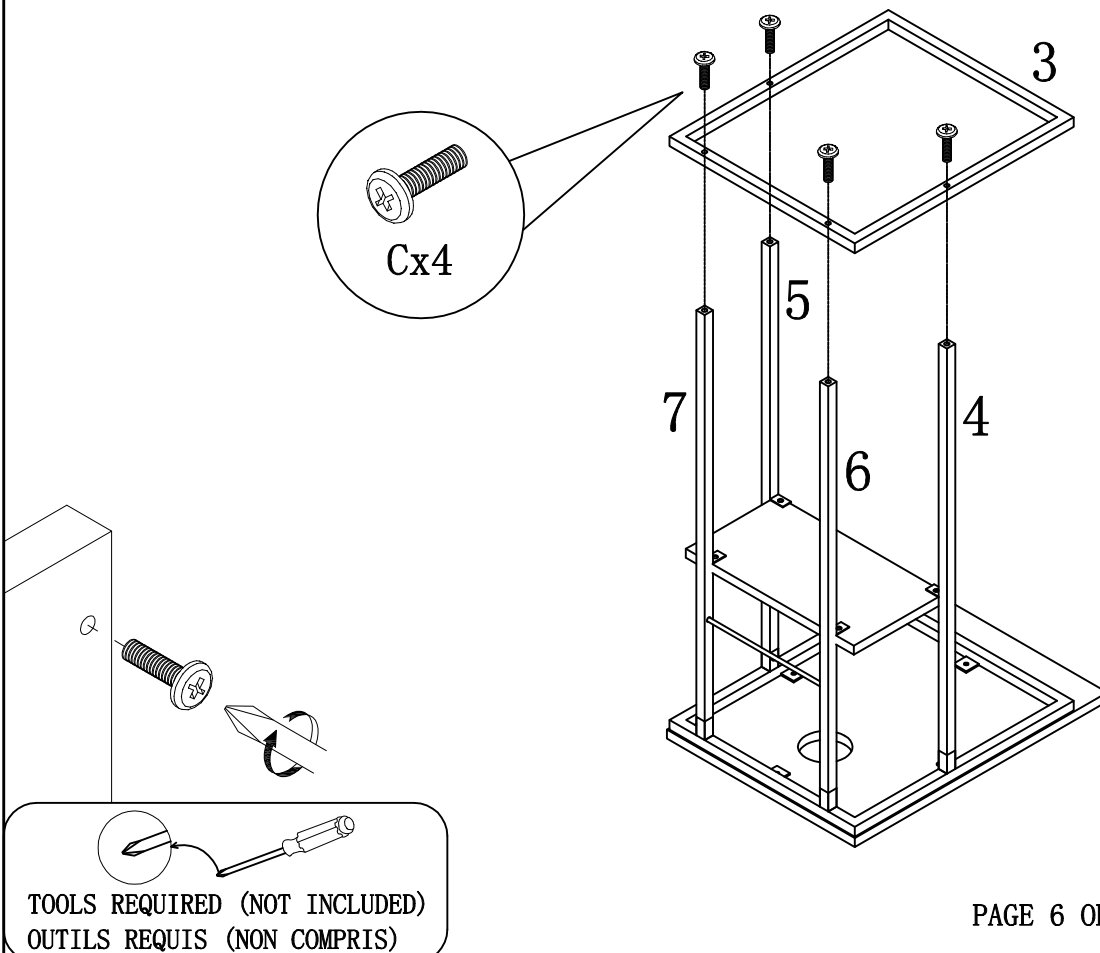
TOOLS REQUIRED (NOT INCLUDED)  
OUTILS REQUIS (NON COMPRIS)

# ITEM NO/NO ARTICLE: BYRONCST/243279

## STEP 5 / ETAPE 5

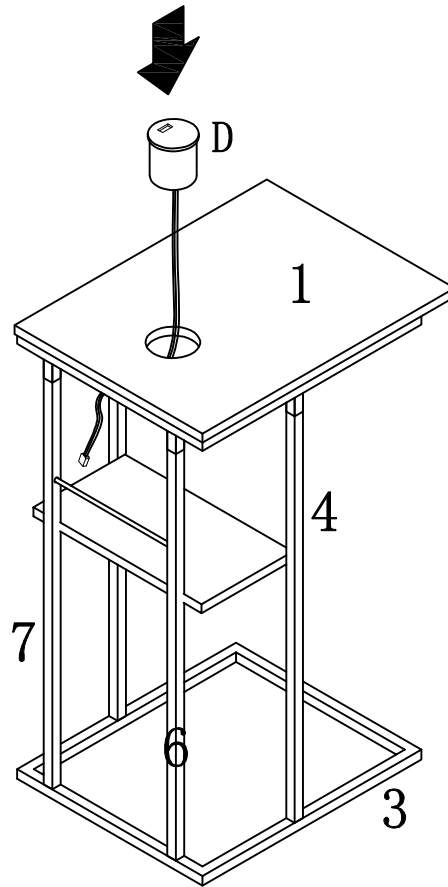


## STEP 6 / ETAPE 6



# ITEM NO/NO ARTICLE: BYRONCST/243279

## STEP 7 / ETAPE 7



## STEP 8 / ETAPE 8

