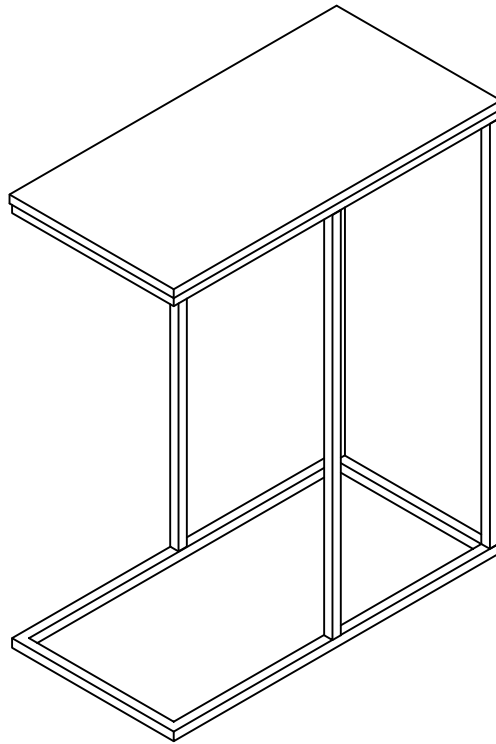


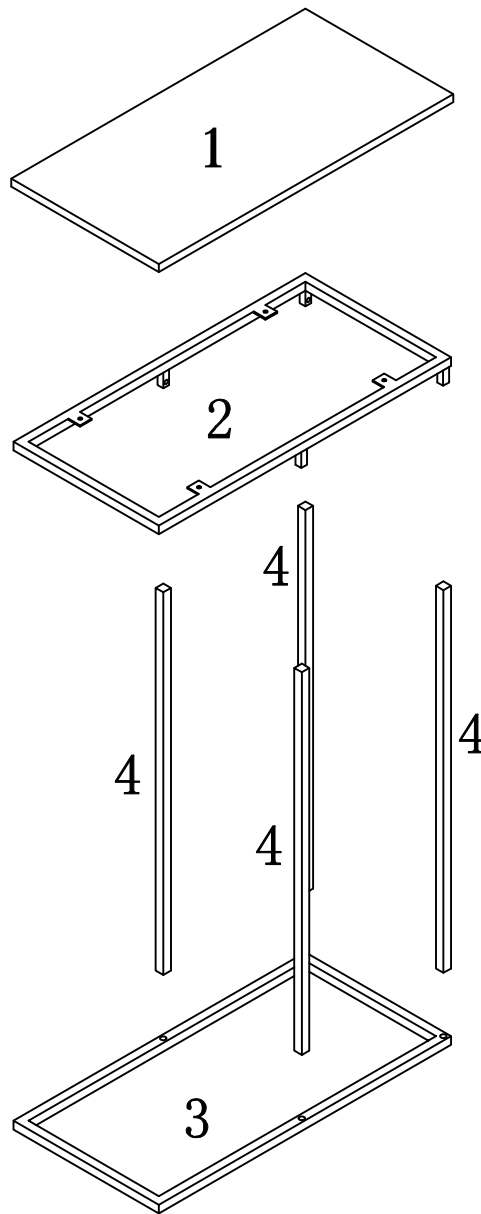
ASSEMBLY INSTRUCTIONS /
INSTRUCTIONS D'ASSEMBLAGE

ITEM NO/NO ARTICLE: VOSSMCST/243281



PARTS IDENTIFICATIONS /
IDENTIFICATION DES PIECES

ITEM NO/NO ARTICLE: VOSSMCST/243281



- | | |
|-----|-----------|
| (1) | 1pc/pce |
| (2) | 1pc/pce |
| (3) | 1pc/pce |
| (4) | 4pcs/pces |

HARDWARE IDENTIFICATIONS/
IDENTIFICATION DU KIT D'ASSEMBLAGE

ITEM NO/NO ARTICLE: VOSSMCST/243281

A



$\Phi 3.5 \times 12$

4pcs/pces

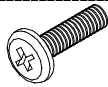
B



$\Phi 6 \times 8$

4pcs/pces

C

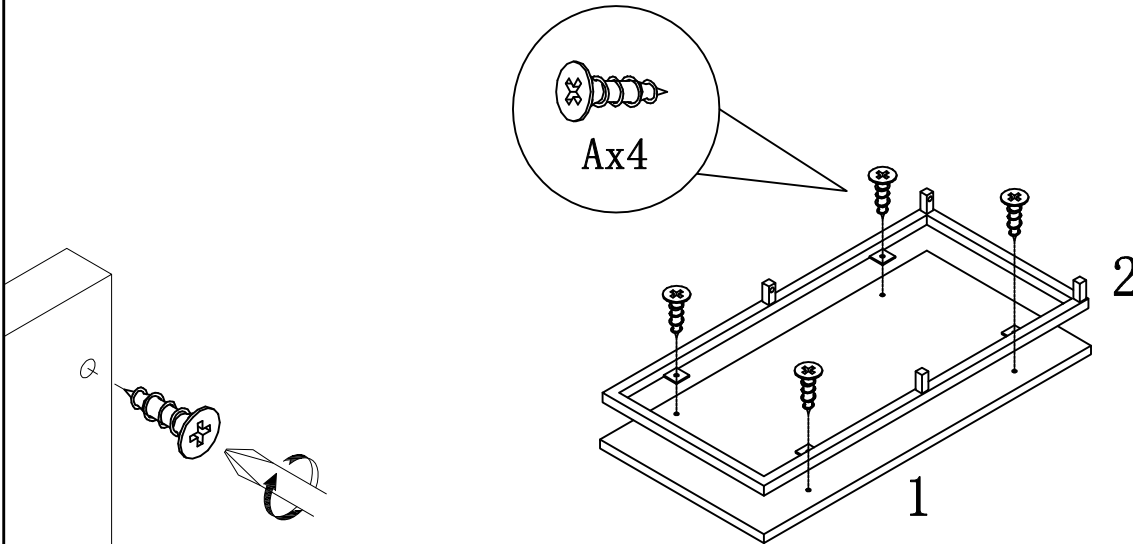


$\Phi 6 \times 20$

4pcs/pces

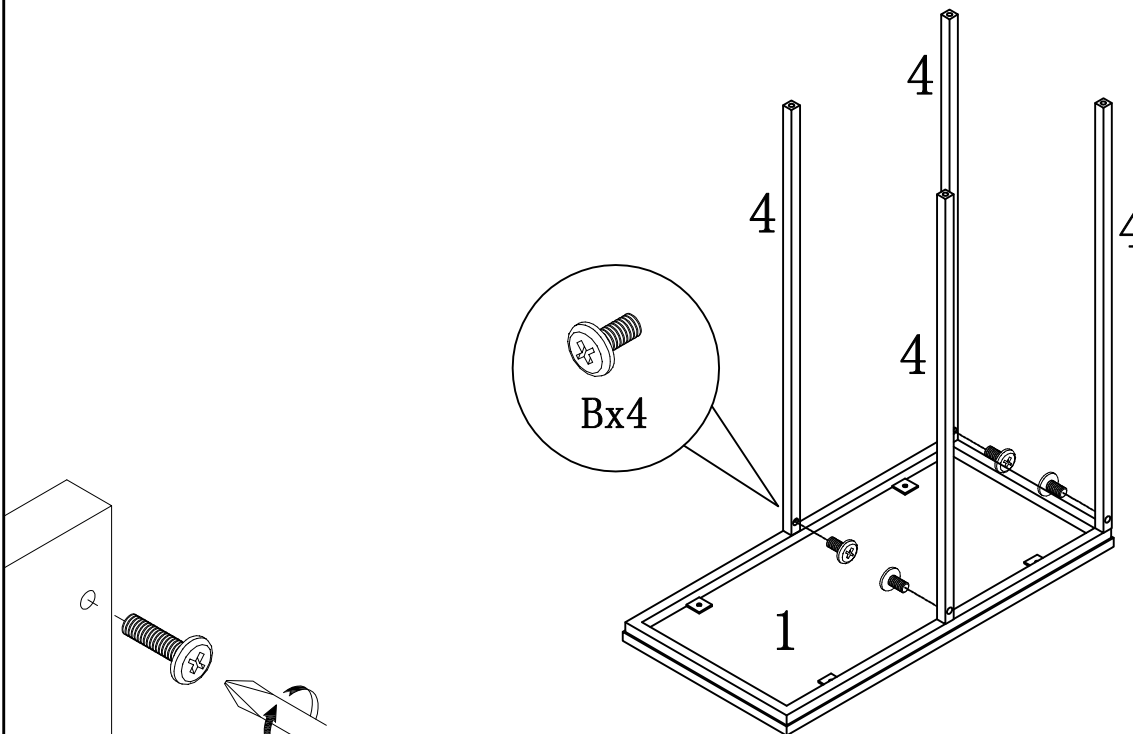
ITEM NO/NO ARTICLE: VOSSMCST/243281

STEP 1 / ETAPE 1



TOOLS REQUIRED (NOT INCLUDED)
OUTILS REQUIS (NON COMPRIS)

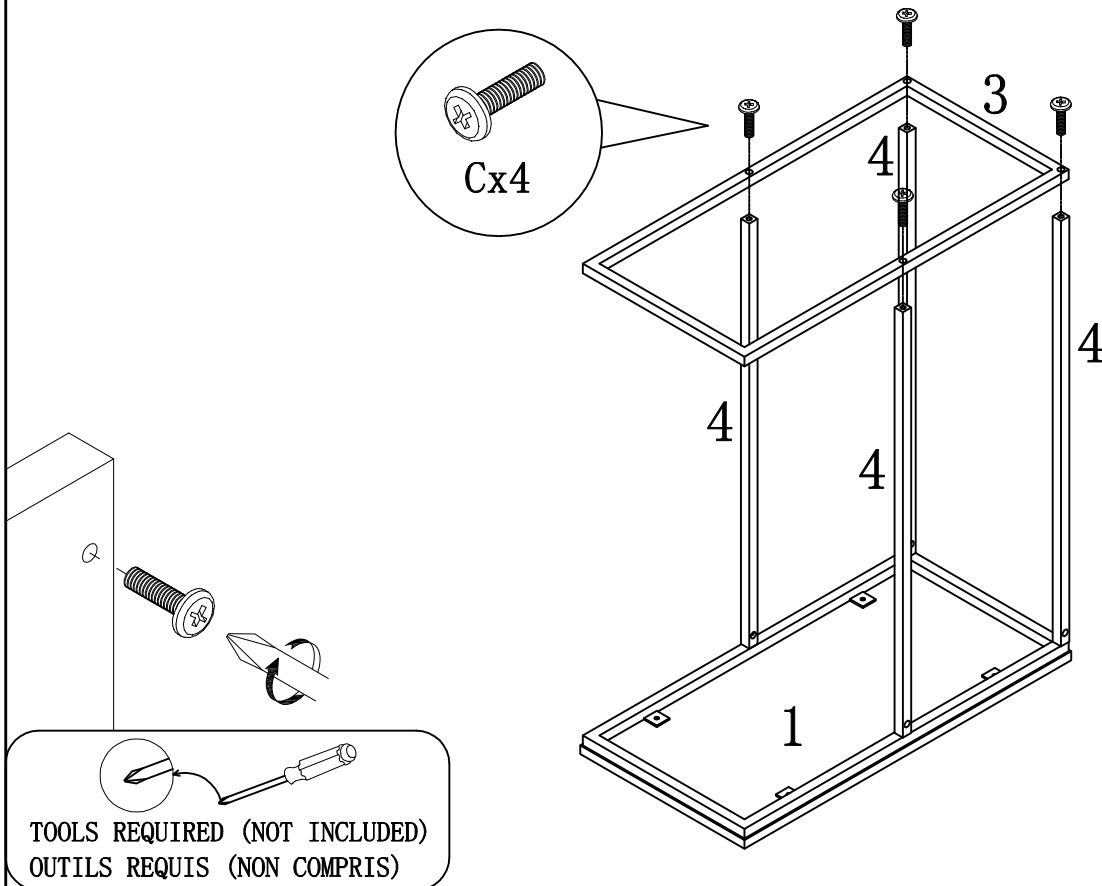
STEP 2 / ETAPE 2



TOOLS REQUIRED (NOT INCLUDED)
OUTILS REQUIS (NON COMPRIS)

ITEM NO/NO ARTICLE: VOSSMCST/243281

STEP 3 / ETAPE 3



STEP 4 / ETAPE 4

