

ASSEMBLY INSTRUCTION

ITEM# 19739SF/QF SKU#JACEGF/QSF
 DESCRIPTION:Jace GRY STG FB/RL/SL - FL/NQ

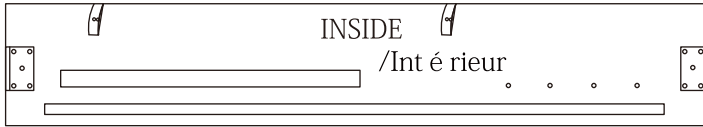
INSTRUCTION D'ASSEMBLAGE

DESCRIPTION:Pied de L,lattes,longerons-double -Gris
 /longeron/lattes-Gris -Grand

Parts/Pi è ces



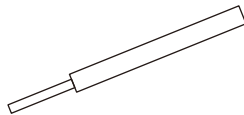
1 Right side rail/Longerons lat é raux droits



2 Left side rail /Longerons lat é raux gauches



4 Footboard/Pied de lit



6 Piston/Piston x 2



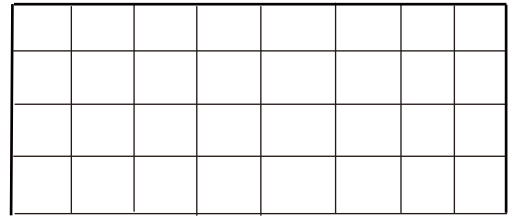
8 Mattress support bracket x 2 /Bride de fixation pour matelas



10 Long support leg x 2 /Pieds de support -Longs

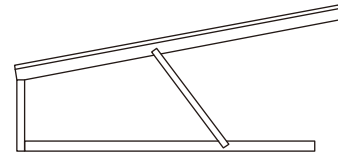


12 Ottoman end frame (Footboard) x 1 (Note: Chamfered corners) /Bout d'armature pour ottomane(Pied de L.) Note:Bords chanfrein é s



FRONT /Avant

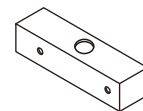
3 Headboard/T ê te de lit



5 Hinges/Charni è res x 2



7 Base panelx5e /Base de panneau



9 Ottoman frame support x 1 /Armature de support pour ottomane



11 Ottoman end frame (Headboard) x 1 /Bout d'armature pour ottomane

Parts

13 Ottoman frame (Sides) x 2
/Armature d'ottomane(Coins)

14 Ottoman frame centre rail x 1
/Traverse centrale- armature pour ottomane

15 Double slat caps x 19
/Capuchons de lattes de lit double

16 Wooden support rail x 5
/Longeron de support en bois

17 Bentwood slats x 38
/Lattes en bois courb é

18 Single slat caps x 38
/Capuchons de lattes de lit simple

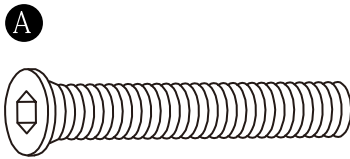


19 Short support leg x 5
/Pied de support -Court

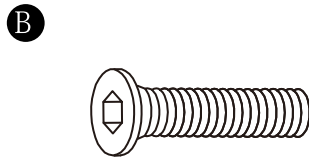


20 The board for headboard x 1

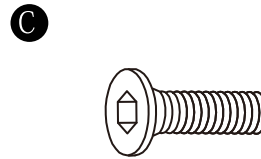
Hardware/Quincaillerie



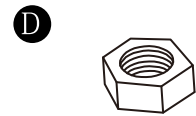
5/16*2''*2pcs



5/16*1''*26pcs



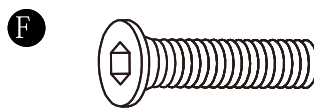
1/4*3/4''*16pcs



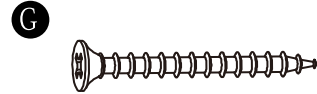
Nut x 4
/ é crous



19mm Flat washer** 28pcs
/rondelle plate



1/4*1''*6pcs



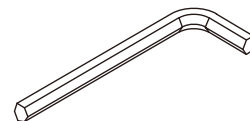
35mm M4 Wood screw x 4PCS



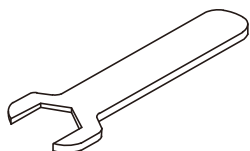
15mm M4 Wood screw x 8PCS



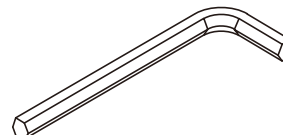
I-beam bars x4pcs



4mm Allen key
/cl é Allen

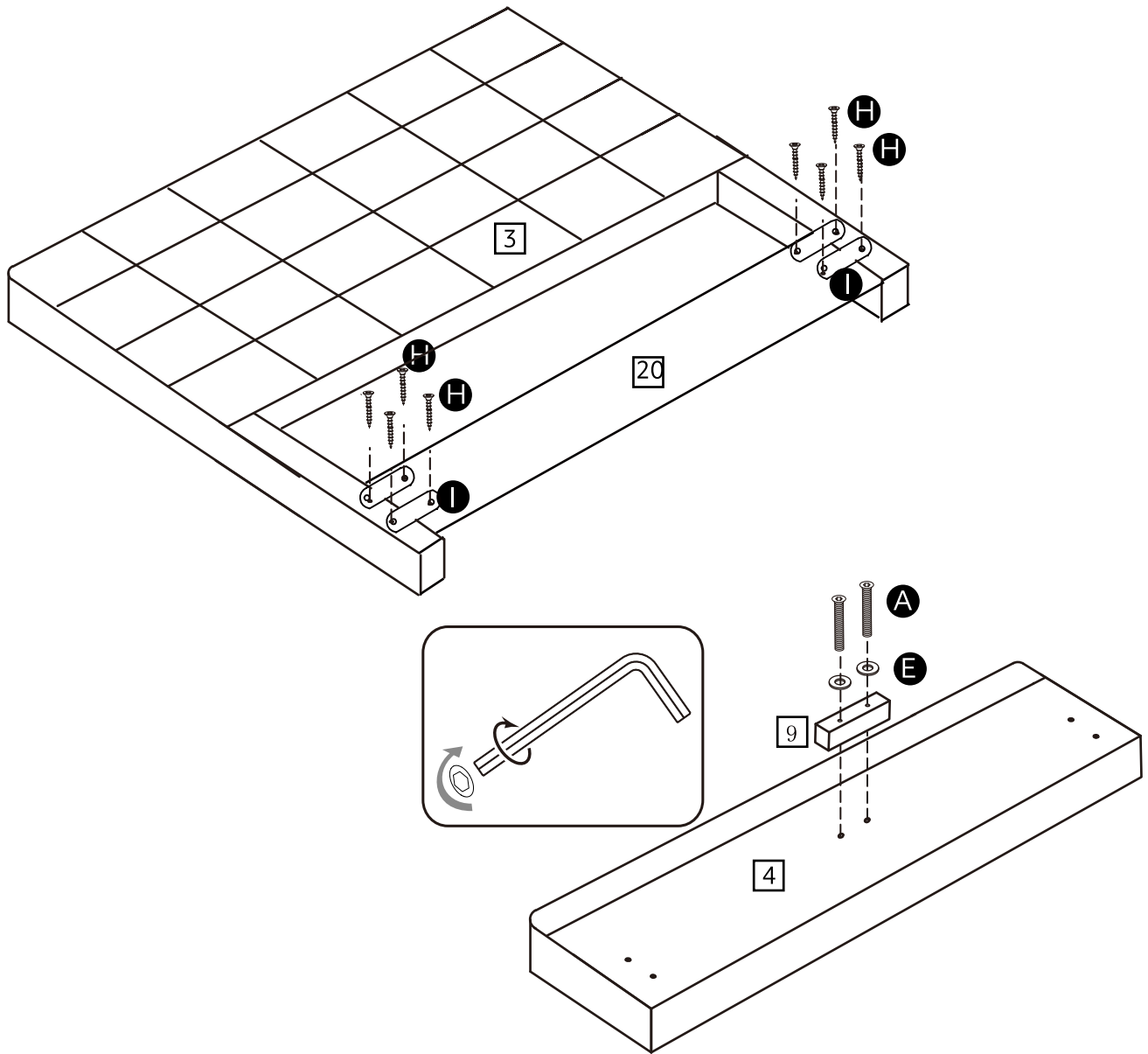


Spanner/cl é

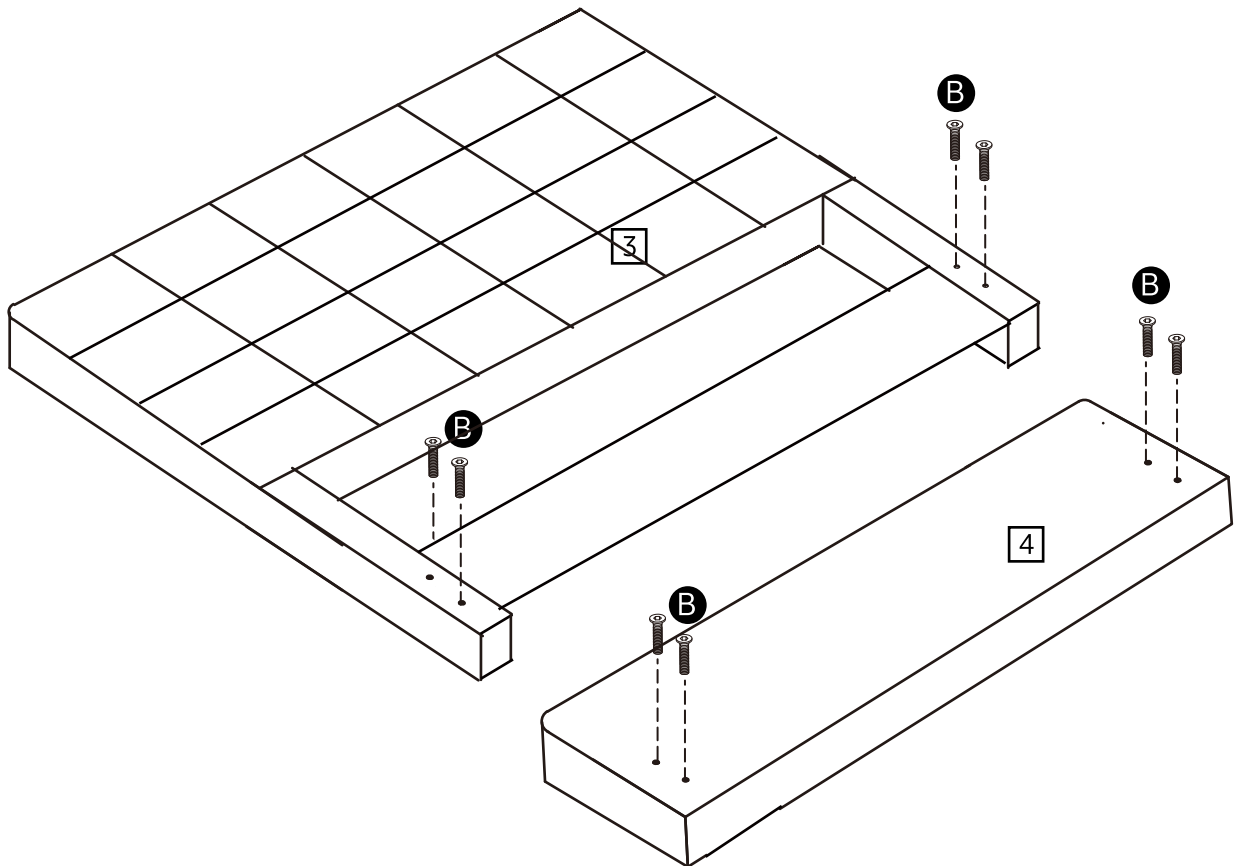


5mm Allen key
/cl é Allen

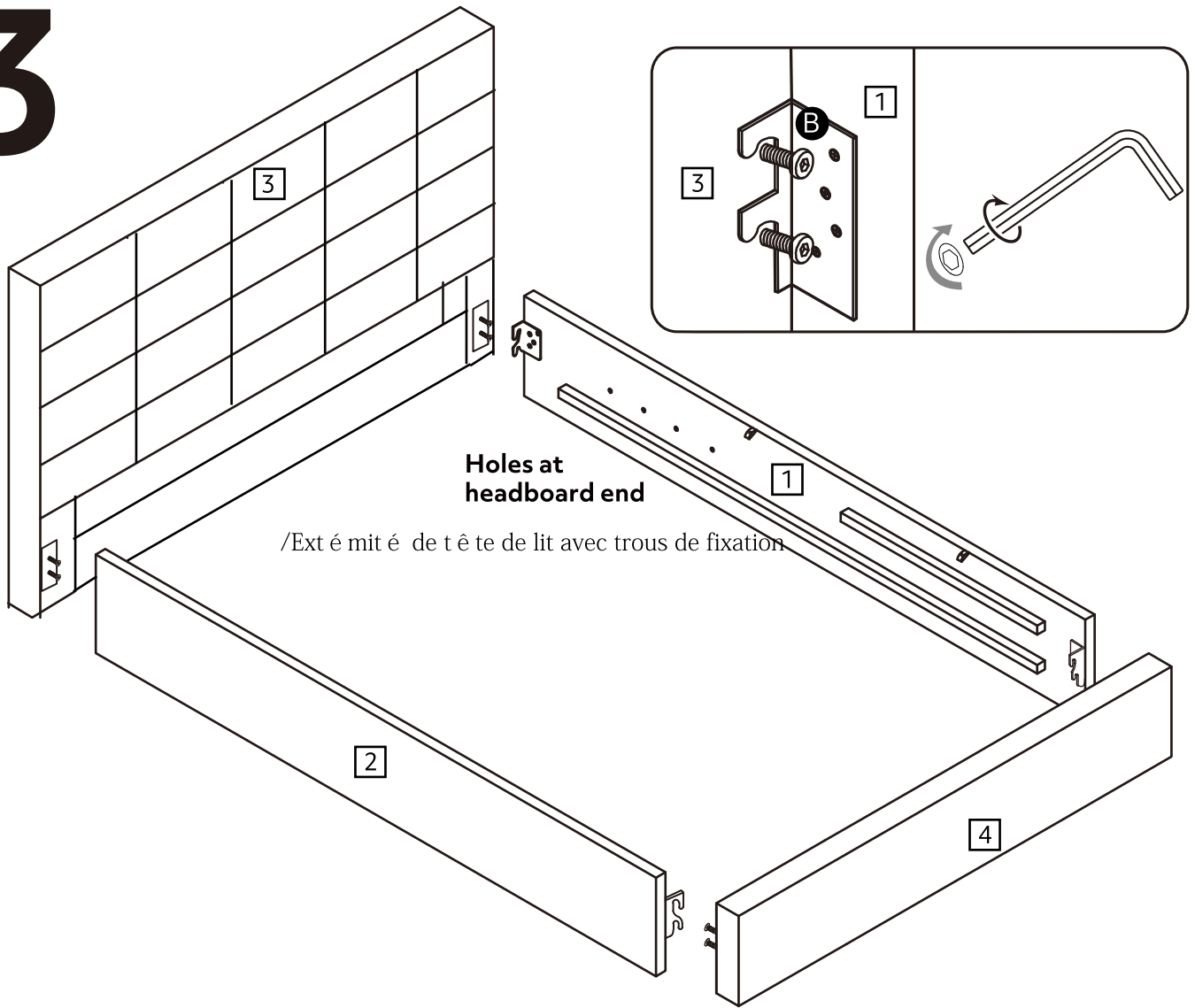
1



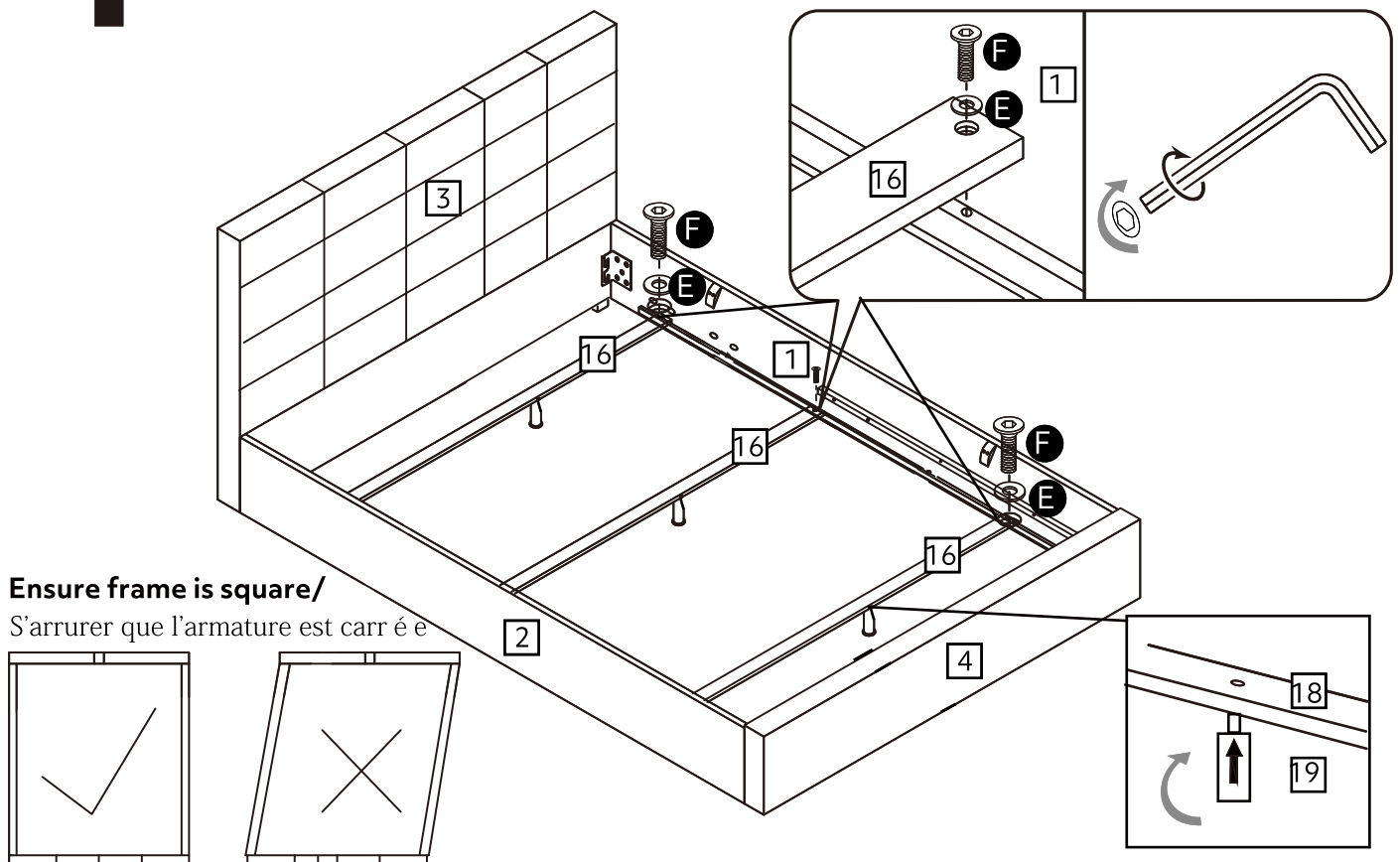
2



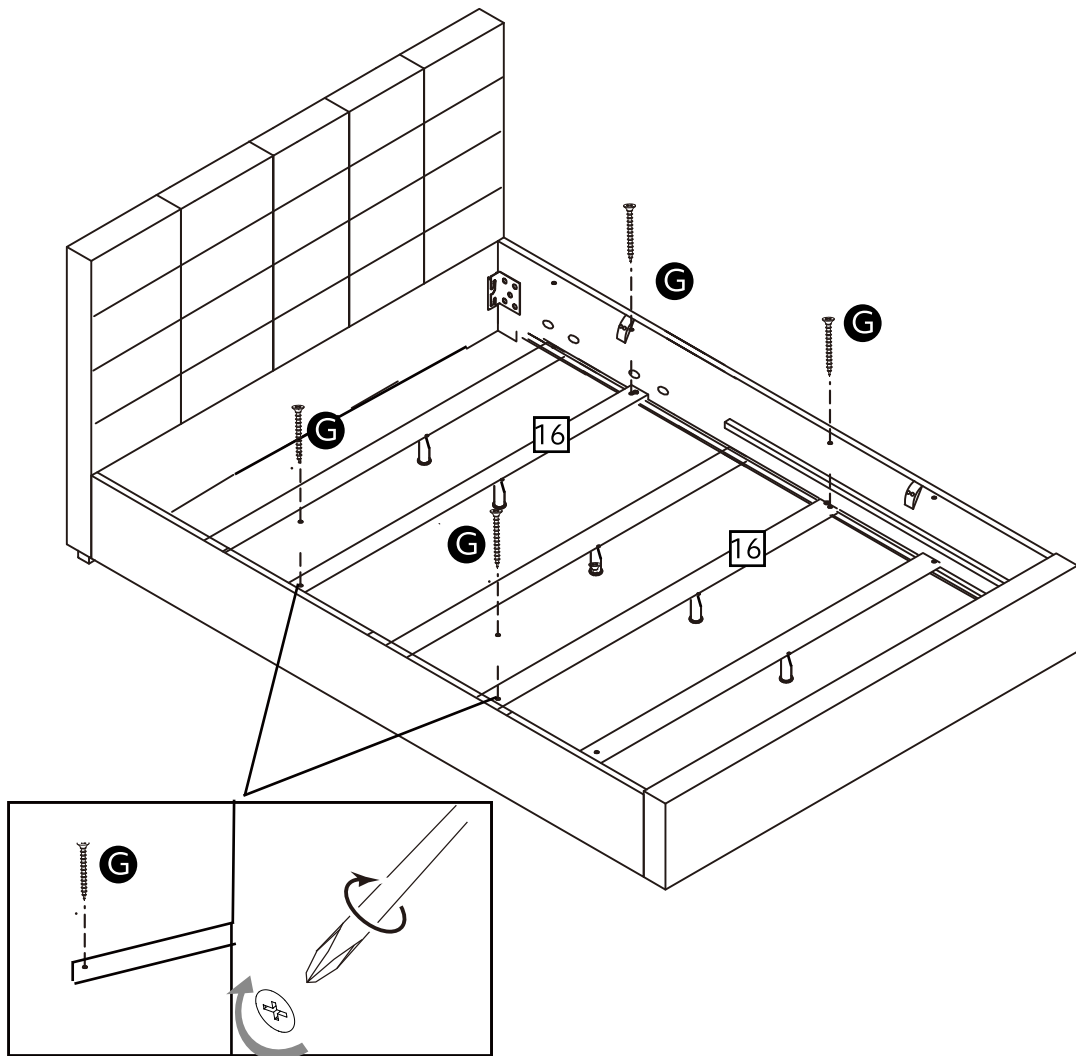
3



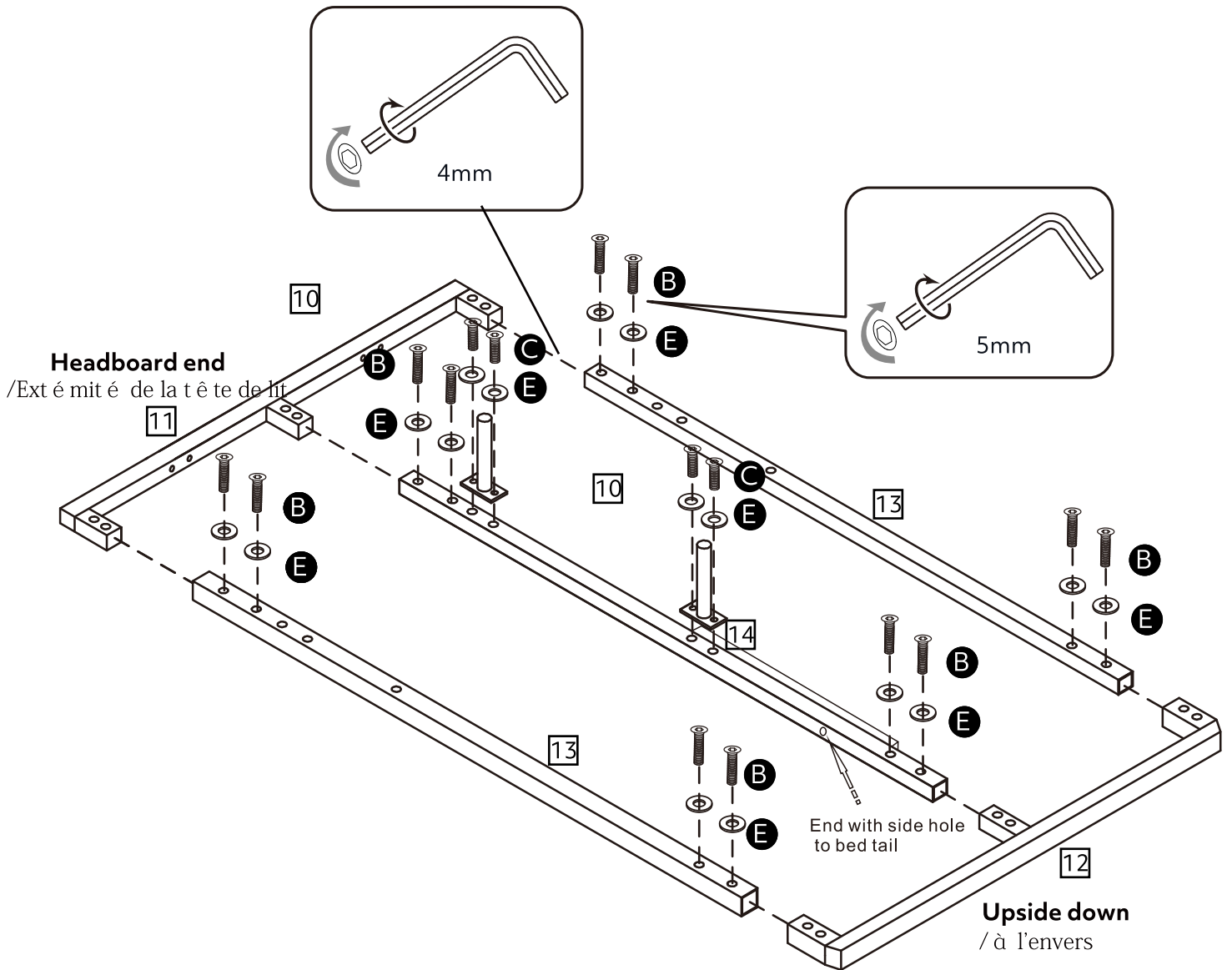
4



5



8

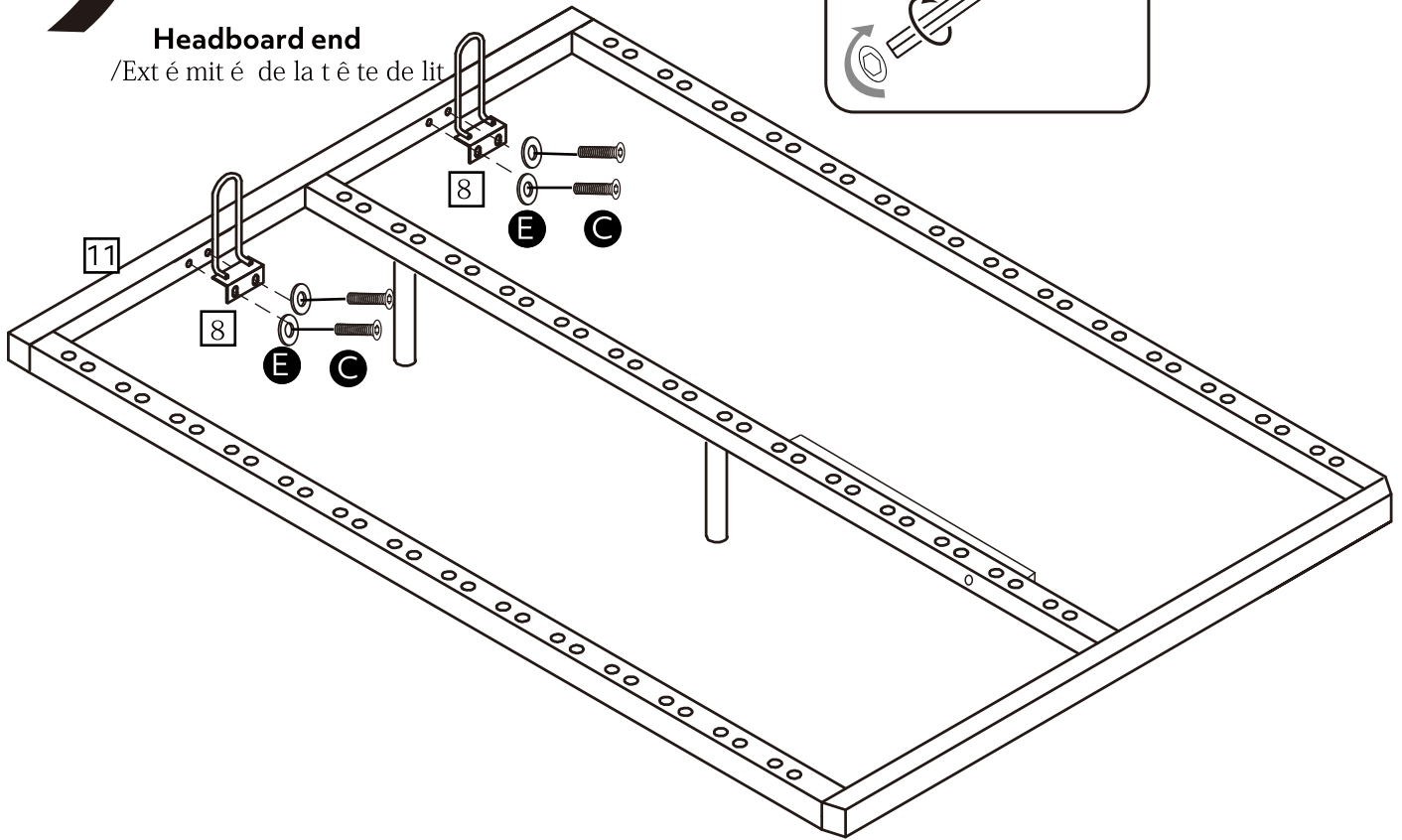
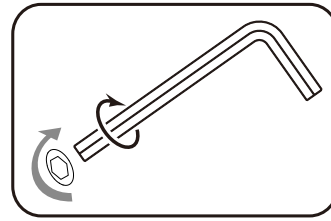


Do not fully tighten screws
/Ne pas visser compl è tement les vis

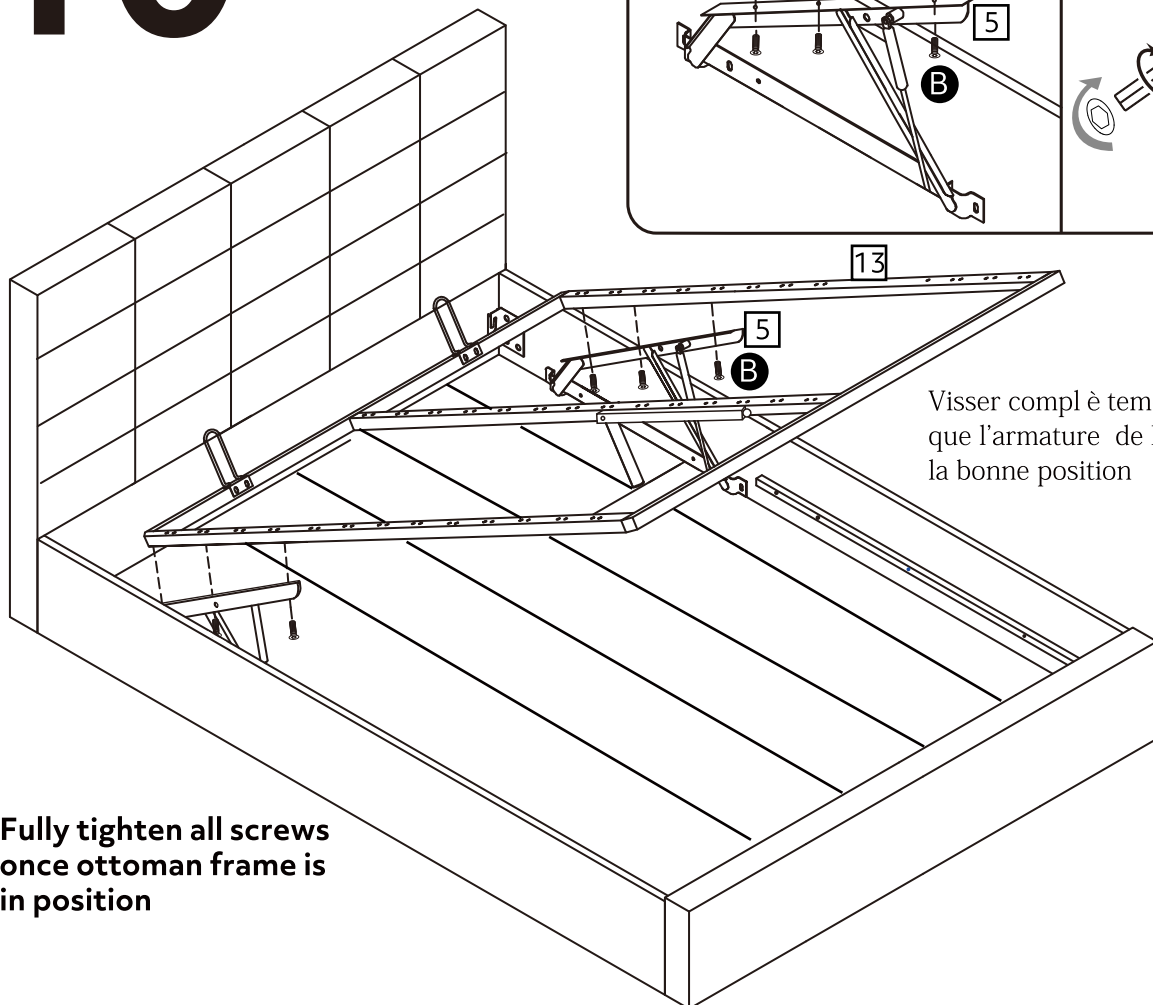
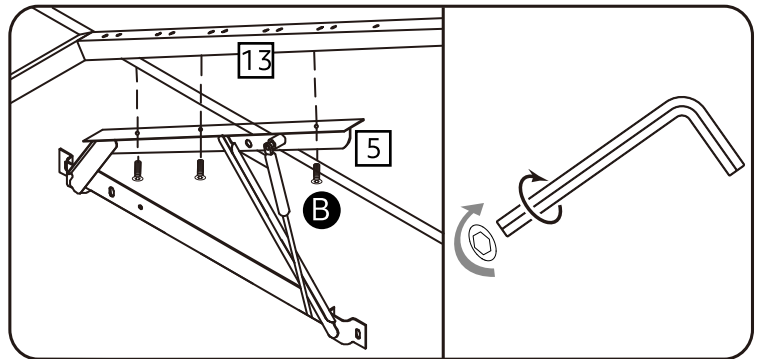
9

Headboard end

/Ext é mit é de la t ê te de lit



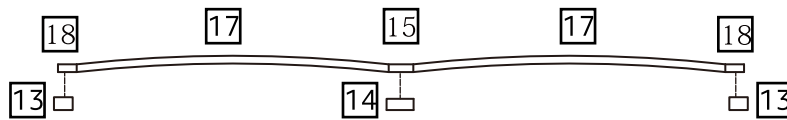
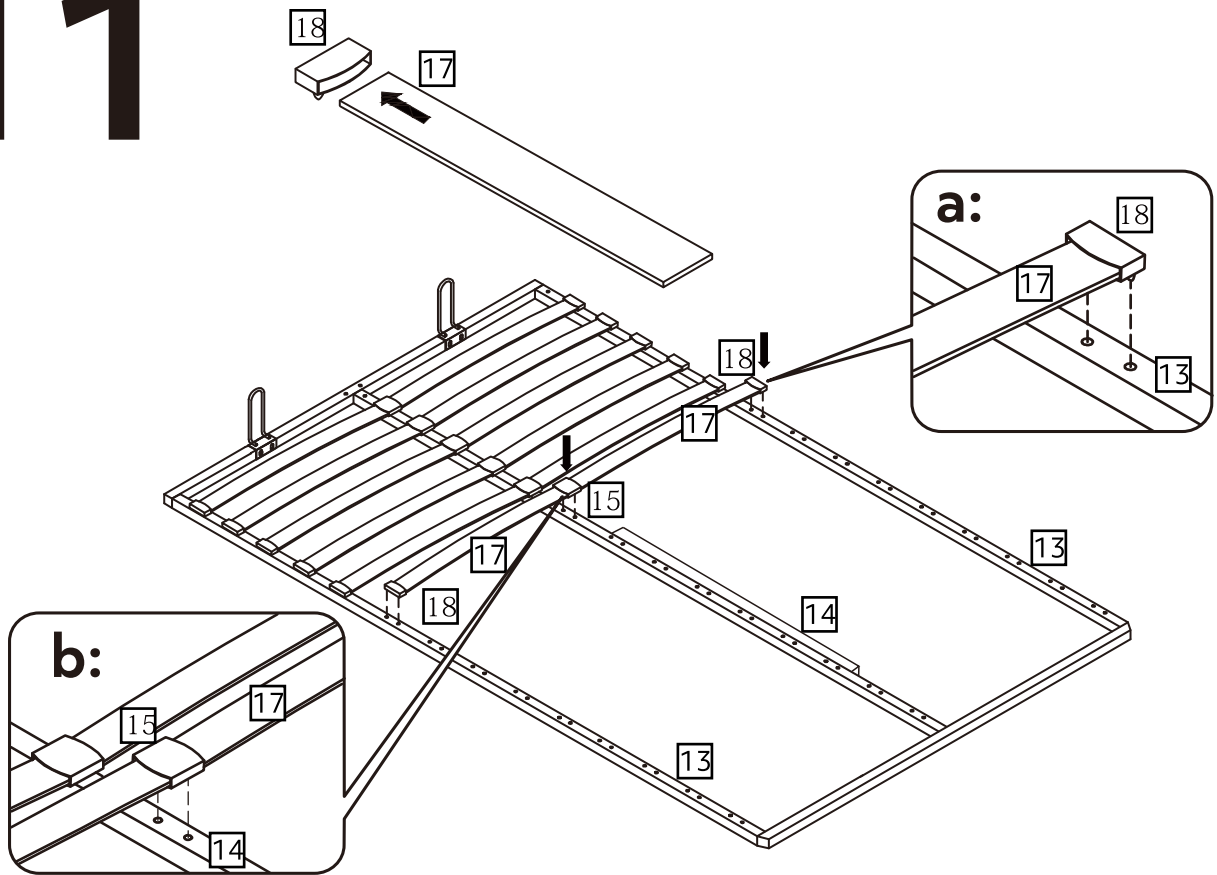
10



Visser compl è tement les vis jusqu' à ce que l'armature de l'ottomane est dans la bonne position

Fully tighten all screws once ottoman frame is in position

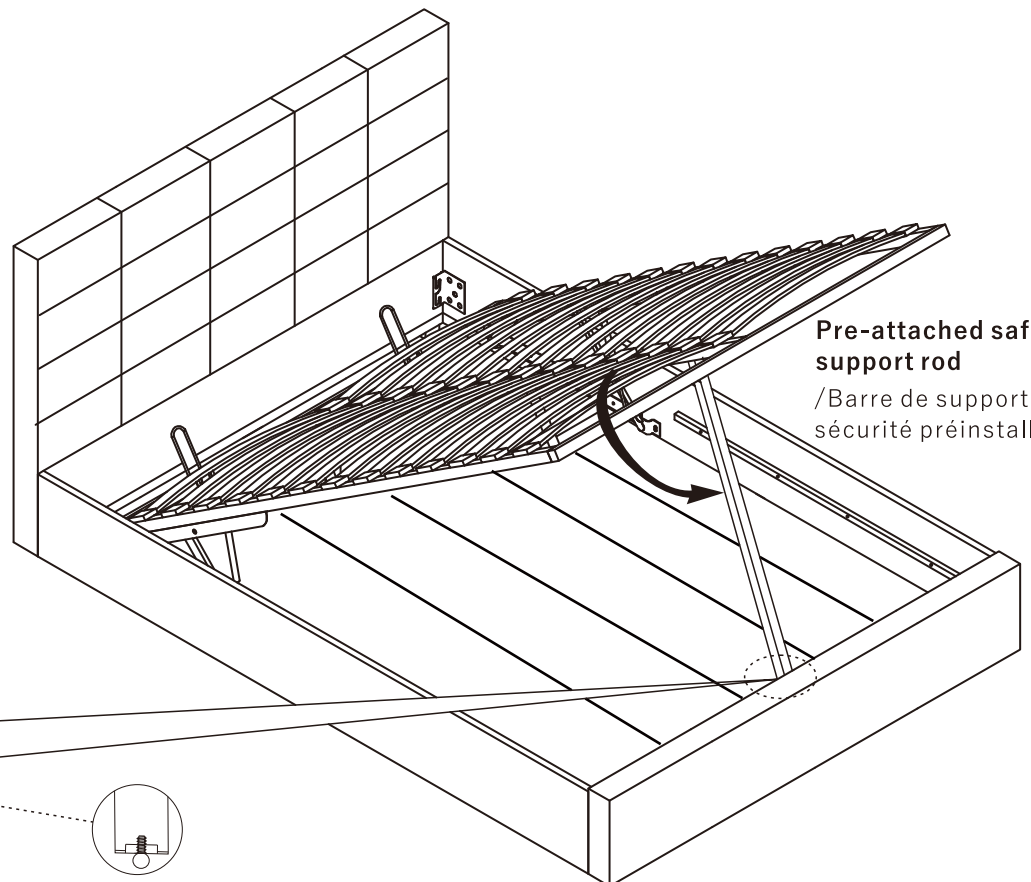
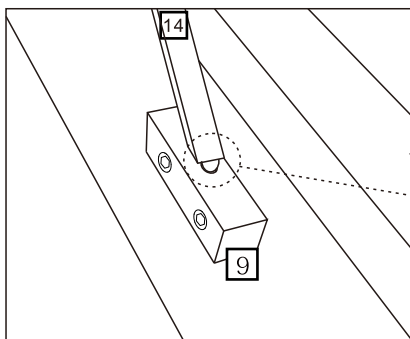
11



Slats to arch upwards
/Placer les lattes vers le haut

12

Insert the support strip into the circular hole
/Insérer la bande de support dans le trou circulaire



Pre-attached safety support rod
/Barre de support de sécurité préinstallée

Adjustable bottom support
/Support inférieur réglable