

# Installation Instructions

# Dryers

Questions? Call GE Appliances at 800.GE.CARES (800.432.2737) or visit our Web site at: [GEAppliances.ca](http://GEAppliances.ca)

## BEFORE YOU BEGIN

Read these instructions completely and carefully.

- **IMPORTANT** – Save these instructions for local electrical inspector's use.
- **IMPORTANT** – Observe all governing codes and ordinances.
- Install the clothes dryer according to the manufacturer's instructions and local codes.
- **Note to Installer** – Be sure to leave these instructions with the Consumer.
- **Note to Consumer** – Keep these instructions for future reference.
- Clothes dryer installation must be performed by a qualified installer.
- This dryer **must** be exhausted to the outdoors.
- Before the old dryer is removed from service or discarded, remove the dryer door.
- Service information and the wiring diagram are located in the control console.
- Do not allow children on or in the appliance. Close supervision of children is necessary when the appliance is used near children.
- Proper installation is the responsibility of the installer.
- Product failure due to improper installation is not covered under the Warranty.
- Install the dryer where the temperature is above 50°F for satisfactory operation of the dryer control system.
- Remove and discard existing plastic or metal foil duct and replace with UL-listed duct.

## **WARNING** - Fire Hazard

- Clothes dryer installation must be performed by a qualified installer.
- Install the clothes dryer according to these instructions and local codes.
- **DO NOT** install a clothes dryer with flexible plastic venting materials. If flexible metal (semi-rigid or foil-type) duct is installed, it must be UL-listed and installed in accordance with the instructions found in "Connecting the Dryer to House Vent" later in this manual. Flexible vent materials are known to collapse, be easily crushed and trap lint. These conditions will obstruct dryer airflow and increase the risk of fire.
- **DO NOT** install or store this appliance in any location where it could be exposed to water or weather.
- To reduce the risk of severe injury or death, follow all installation instructions.
- Save these instructions. (Installers: Be sure to leave these instructions with the customer.)

## **FOR GAS DRYERS ONLY IN THE COMMONWEALTH OF MASSACHUSETTS, THE FOLLOWING INSTALLATION INSTRUCTIONS APPLY:**

- Installation must be performed by a qualified or licensed contractor, plumber, or gasfitter qualified or licensed by the State.
- If using a ball valve, it shall be a T-handle type.
- A flexible gas connector, when used, must not exceed 3 feet.



**234D2318P006**

29-6075-2 06-17 GEA

# Installation Instructions

## State of California Proposition 65 Warnings:



### WARNING

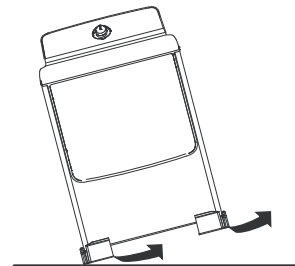
This product contains one or more chemicals known to the State of California to cause cancer, birth defects or other reproductive harm.

Gas appliances can cause low-level exposure to some of these substances, including benzene, carbon monoxide, formaldehyde and soot, caused primarily by the incomplete combustion of natural gas or LP fuels. Exposure to these substances can be minimized by properly venting the dryer to the outdoors.

## UNPACKING YOUR DRYER

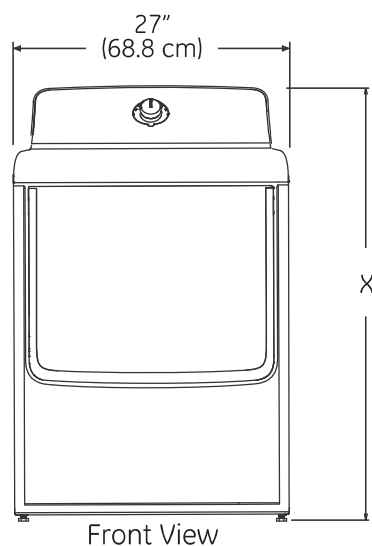
Tilt the dryer sideways and remove the foam shipping pads by pulling at the sides and breaking them away from the dryer legs. Be sure to remove all of the foam pieces around the legs.

Remove literature and bag containing accessories.

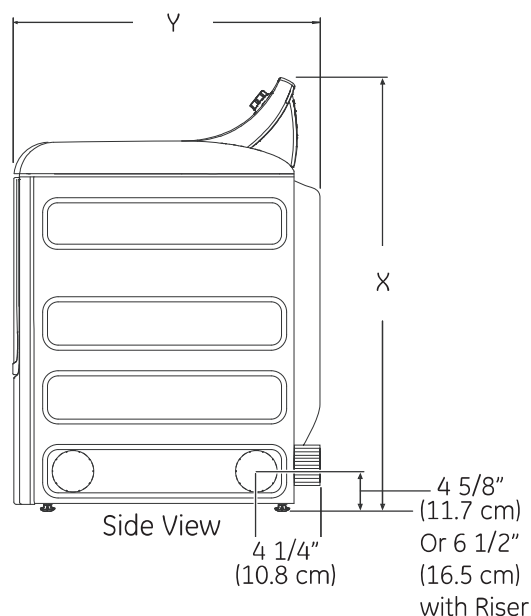


## ROUGH-IN DIMENSIONS

Cubic Foot	X	Y
6.0	43 3/8" (110 cm)	26 3/4" (68 cm)
7.0	43 3/8" (110 cm)	29 1/2" (75 cm)
7.3	43 3/4" (111 cm)	30 1/2" (78 cm)
7.4 (with riser)	45 1/2" (116 cm)	30 1/2" (78 cm)



Front View



Side View

## STEAM WATER HOSES:

GE Appliances strongly recommends the use of factory specified parts. These hoses are manufactured and tested to meet GE Appliances specifications.

GE Appliances strongly recommends the use of new water supply hoses. Hoses degrade over time and need to be replaced every 5 years to reduce the risk of hose failures and water damage.

### Parts and Accessories

Order on-line at [GEAppliance.ca](http://GEAppliance.ca), 24 hours a day or by phone at **800.661.1616** during normal business hours.

### Part Number

WE25X20060

### OR

WE1M847  
WE01X22395  
PM14X10056

WX14X10007

### Accessory

Complete Kit (hoses, Y-adapter washers) (included)

Long Hose and Short Hose  
Dryer door opening vent brush (not included)

LintEater™ Dryer rotary tube brush (not included)

# Installation Instructions

## REQUIREMENTS FOR ALCOVE OR CLOSET INSTALLATION

### **WARNING** - Explosion Hazard

Keep flammable materials and vapors, such as gasoline, away from dryer.

Place dryer at least 18" (46 cm) above the floor for a garage installation.

Failure to do so can result in death, explosion, or fire.

- If the dryer is approved for installation in an alcove or closet, it will be stated on a label on the dryer back.
- The dryer **MUST** be vented to the outdoors. See the EXHAUSTING THE DRYER section.
- Minimum clearance between dryer cabinet and adjacent walls or other surfaces is:
  - 0" either side
  - 1" front
  - 1" rear
  - 1" top
- Consideration must be given to provide adequate clearance for installation and service.
- Closet doors must be louvered or otherwise ventilated and have at least 60 square inches of open area. If the closet contains both a washer and a dryer, doors must contain a minimum of 120 square inches of open area.

**NOTE:** WHEN THE EXHAUST DUCT IS LOCATED IN THE REAR OF THE DRYER, THE CONFIGURATION OF THE DUCTING MAY REQUIRE GREATER THAN 0" OF REAR CLEARANCE. A 1" MINIMUM IS RECOMMENDED.

### Gas Dryers Only:

- No other fuel burning appliance shall be installed in the same closet as a gas dryer.
- The dryer must be disconnected from the gas supply piping during pressure testing at pressures greater than ½ psi (3.5 kPa).
- A 1/8 inch NPT minimum plugged tapping, accessible for test gauge connection, must be installed immediately upstream of the gas supply connection to the dryer.

## MINIMUM CLEARANCE OTHER THAN ALCOVE OR CLOSET INSTALLATION

Minimum clearance to combustibles surfaces and for air opening are: 0" both sides; 1" rear; 1" on top. Consideration must be given to provide adequate clearance for installation and service.

## MOBILE OR MANUFACTURED HOME INSTALLATION

- Installation must conform to the MANUFACTURED HOME CONSTRUCTION AND SAFETY STANDARD, TITLE 24, PART 32-80 or Standard CAN/CSA-Z240 MH, or, when such standard is not applicable, with AMERICAN NATIONAL STANDARD FOR MOBILE HOME, ANSI/NFPA NO. 501B.
- The dryer **MUST** be vented to the outdoors.
- The exhaust vent **MUST** be securely fastened to a non-combustible portion of the mobile home.
- The vent **MUST NOT** be terminated beneath a mobile or manufactured home.
- The vent duct material **MUST BE METAL**.
- KIT 14-D346-33 **MUST** be used to attach the dryer securely to the structure.
- The vent **MUST NOT** be connected to any other duct, vent or chimney.
- **DO NOT** use sheet metal screws or other fastening devices which extend into the interior of the exhaust vent.
- Provide an opening with a free area of at least 25 square inches for introduction of outside air into the dryer room.
- See the sections for electrical connection information.

## POWER CORDS:

GE strongly recommends the use of factory specified parts. Select the power cord to fit your installation requirements.

Order on-line at [GEAppliance.ca](http://GEAppliance.ca), 24 hours a day or by phone at **800.661.1616** during normal business hours.

Part Number	Type	Length	Amperage
WX9X2	3-Prong	4 Feet	30
WX9X3	3-Prong	5 Feet	30
WX9X4	3-Prong	6 Feet	30
WX9X18	4-Prong	4 Feet	30
WX9X19	4-Prong	5 Feet	30
WX9X20	4-Prong	6 Feet	30

# Installation Instructions

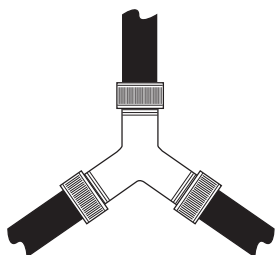
## CONNECTING INLET HOSES

### CONNECTING INLET HOSES (on some models)

To produce steam, the dryer must connect to the cold water supply. Since the washer must also connect to the cold water, a “Y” connector is inserted to allow both inlet hoses to make that connection at the same time.

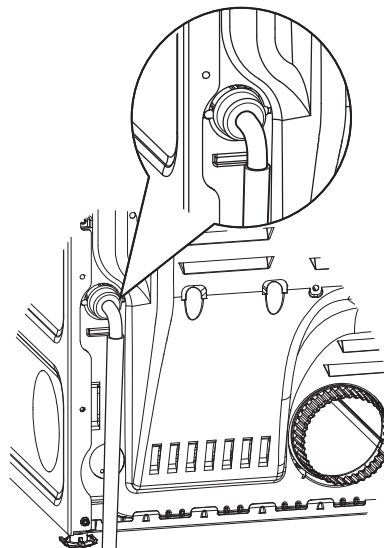
**NOTE:** Use the new inlet hoses provided; never use old hoses.

1. Turn the cold water faucet off. Remove the washer inlet hose from the washer fill valve connector (cold).
2. Ensure the rubber flat washer is in place and attach one female coupling of the short hose onto the washer fill valve connector. Tighten by hand until firmly seated.
3. Attach one male end of the “Y” connector to the other female coupling of the short hose. Ensure the rubber flat washer is in place. Tighten by hand until firmly seated.



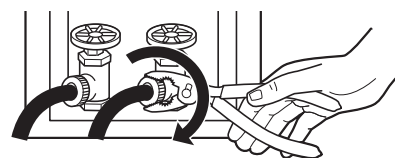
4. Insert the filter screen in the coupling of the **washer's** inlet hose. If a rubber flat washer is already in place remove it before installing the filter screen. Attach this coupling to one male end of the “Y” connector. Tighten by hand until firmly seated.
5. Ensure the rubber flat washer is in place and attach the **dryer's** long inlet hose to one male end of the “Y” connector. Tighten by hand until firmly seated.
6. Ensure the rubber flat washer is in place and attach the other end of the **dryer's** long inlet hose to the fill valve connector at the bottom of the dryer back panel. Tighten by hand until firmly seated.

### CONNECTING INLET HOSES (on some models) (cont.)



7. Using pliers, tighten all the couplings with an additional two-thirds turn.

**NOTE:** Do not overtighten. Damage to the couplings may result.



8. Turn the water faucet on.
9. Check for leaks around the “Y” connector, faucet and hose couplings.

### WATER SUPPLY REQUIREMENTS

Hot and cold water faucets **MUST** be installed within 42 in. (107 cm) of your washer's water inlet. The faucets **MUST** be 3/4 in. (1.9 cm) garden hose-type so inlet hoses can be connected. Water pressure **MUST** be between 10 and 120 pounds per square inch. Your water department can advise you of your water pressure.

**NOTE:** A water softener is recommended to reduce buildup of scale inside the steam generator if the home water supply is very hard.

# Installation Instructions

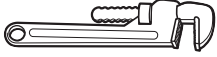
## CONNECTING A GAS DRYER (skip for electric dryers)

### TOOLS YOU WILL NEED

- 10" Adjustable wrenches (2)



- 8" Pipe wrench



- Slip-joint pliers



- Flat-blade screwdriver



- Level

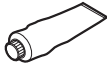


### MATERIALS YOU WILL NEED

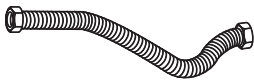
- 4" dia. metal elbow



- Pipe compound or PTFE tape



- Flexible gas line connector



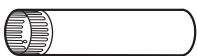
- Duct clamps (2) or Spring clamps (2)



- Safety glasses



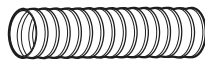
- 4" dia. metal duct (recommended)



- 4" Cover Plate (Kit WE49X22606)



- 4" dia., UL-listed flexible metal duct (if needed)



- Gloves



- Soap solution for leak detection



- Exhaust hood



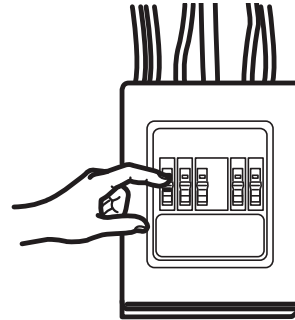
- Duct tape



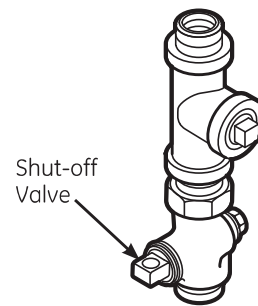
- Gas pipe adapters (2), elbow and pipe plug



Before beginning the installation, turn off the circuit breaker(s) or remove the dryer's circuit fuse(s) at the electrical box. Be sure the dryer cord is unplugged from the wall.



Turn the dryer's gas shut-off valve in the supply line to the OFF position.



Disconnect and discard old flexible gas connector and ducting material.



# Installation Instructions

## CONNECTING A GAS DRYER (skip for electric dryers) (cont.)

### GAS REQUIREMENTS

#### **⚠ WARNING** - Explosion Hazard

- Use a new CSA International approved flexible gas supply line. Never reuse old flexible connectors.
  - Install an individual manual shut-off valve within 6ft. of the dryer in accordance with the National Fuel Gas Code, ANSI Z223.1/NFPA 54.
  - Securely tighten all gas connections.
  - If connected to LP gas, have a qualified person make sure gas pressure **DOES NOT** exceed 13" water column.
  - Examples of a qualified person include: licensed heating personnel, authorized gas company personnel, and authorized service personnel.
  - Failure to do so can result in death, explosion, or fire.
- The installation must conform with local codes, or in the absence of local codes, with the National Fuel Gas Code, ANSI Z223.1/NFPA 54, or the Natural Gas and Propane Installation Code, CSA B149.1.

### GAS SUPPLY

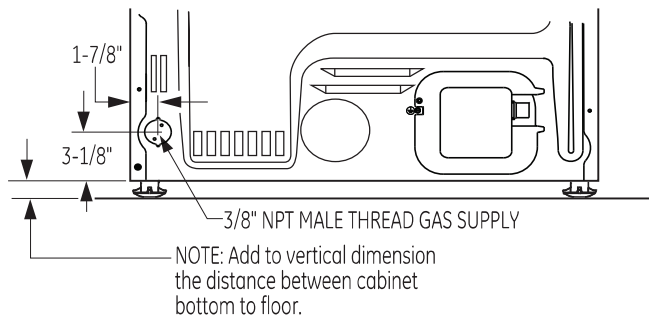
- A 1/8" National Pipe Taper thread plugged tapping, accessible for test gauge connection, must be installed immediately upstream of the gas supply connection to the dryer. Contact your local gas utility should you have questions on the installation of the plugged tapping.
- Supply line is to be 1/2" rigid pipe and equipped with an accessible shutoff within 6 feet of, and in the same room with, the dryer.
- Use pipe thread compound appropriate for natural or LP gas or use PTFE tape.
- Connect flexible metal connector to dryer and gas supply.

#### **⚠ WARNING** - Fire Hazard

#### **FOR USE WITH NATURAL GAS ONLY**

Dryer as produced by manufacturer is to be used only with a natural gas supply. A manufacturer-supplied conversion kit is required to convert this dryer for propane gas supply. Use propane gas conversion kit WE25X217. Conversion must be made by properly trained and qualified personnel in accordance with local codes and ordinances.

### DRYER GAS SUPPLY CONNECTION



- You must use with this dryer a flexible metal connector (listed connector ANSI Z21.24/CSA 6.10). The length of the connect shall not exceed 3 ft.

### ADJUSTING FOR ELEVATION

- Gas clothes dryers input ratings are based on sea level operation and need not be adjusted for operation at or below 2000 ft. elevation. For operation at elevations above 2000 ft., input ratings should be reduced at a rate of 4 percent for each 1000 ft. above sea level.
- Installation must conform to local codes and ordinances or, in their absence, the NATIONAL FUEL GAS CODE, ANSI Z223.

# Installation Instructions

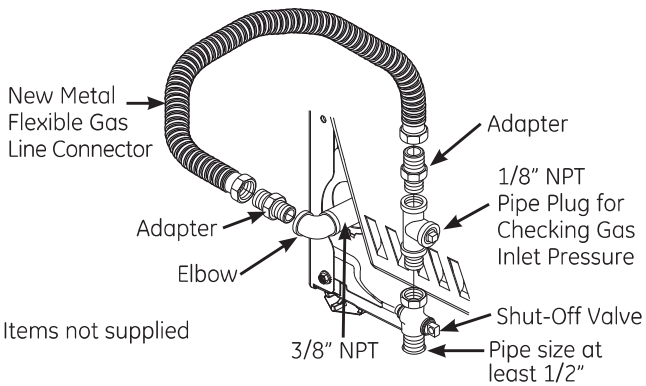
## CONNECTING THE DRYER TO THE GAS SUPPLY

- A** Install a female 3/8" NPT elbow at the end of the dryer gas inlet.

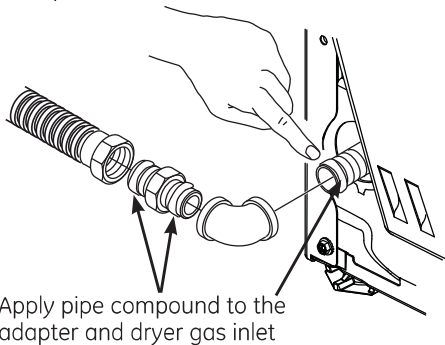
Install a 3/8" flare union adapter to the female elbow.

**IMPORTANT:** Use a pipe wrench to securely hold on to the end of the dryer gas inlet to prevent twisting the inlet.

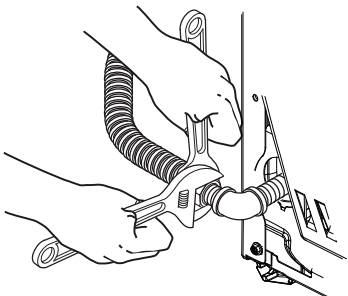
**NOTE:** Apply pipe compound or PTFE tape to the threads of the adapter and dryer gas inlet.



- B** Attach the flexible metal gas line connector to the adapter.



- C** Tighten the flexible gas line connection, using two adjustable wrenches.

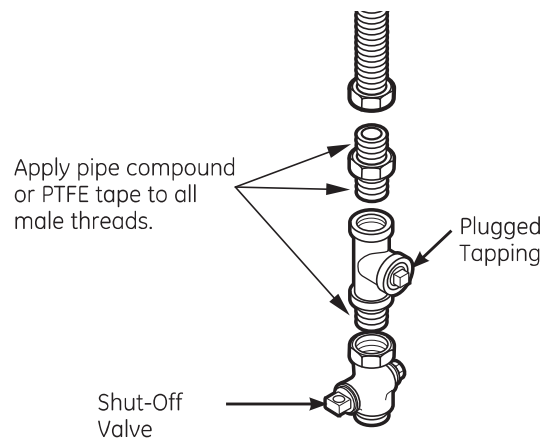


## CONNECTING THE DRYER TO THE GAS SUPPLY (cont.)

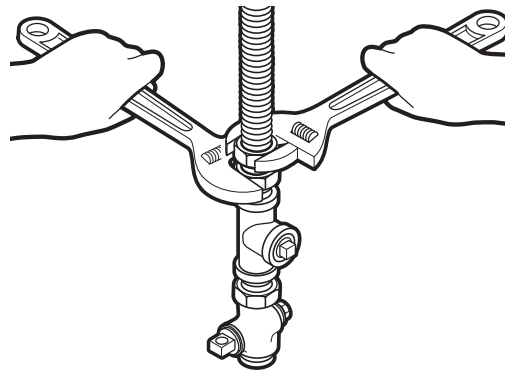
- D** Install a 1/8" NPT plugged tapping to the dryer gas line shut-off valve for checking gas inlet pressure.

Install a flare union adapter to the plugged tapping.

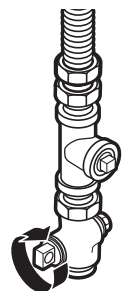
**NOTE:** Apply pipe compound or PTFE tape to the threads of the adapter and plugged tapping.



- E** Tighten all connections, using two adjustable wrenches. **Do not overtighten.**



- F** Open the gas shut-off valve.



# Installation Instructions

## CONNECTING A GAS DRYER (skip for electric dryers) (cont.)

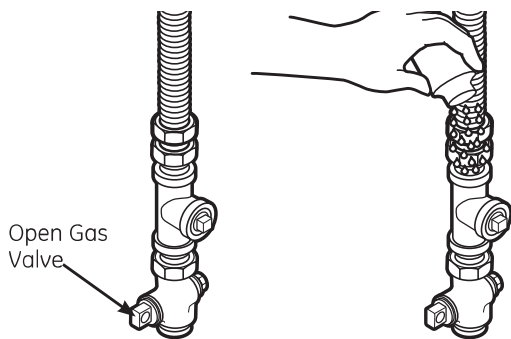
### TEST FOR LEAKS

Never use an open flame to test for gas leaks.

Check all connections for leaks with soapy solution or equivalent.

Apply a soap solution. The leak test solution must not contain ammonia, which could cause damage to the brass fittings.

If leaks are found, close the valve, retighten the joint and repeat the soap test.



### ELECTRICAL CONNECTION INFORMATION FOR GAS DRYERS

**⚠ WARNING** - Electrical Shock Hazard

Plug into a grounded 3 prong outlet.

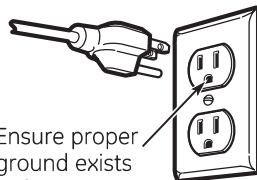
**DO NOT** remove ground prong.

**DO NOT** use an adapter.

**DO NOT** use an extension cord.

Failure to do so can result in death, fire or electrical shock.

- Circuit – Individual properly polarized and grounded 15 or 20 amp circuit breaker or time-delay fuse.
- Power Supply – 2-wire plus ground, 120 Volt, single phase, 60 Hz, alternating current.
- Outlet Receptacle – Properly grounded 3-prong receptacle to be located so the power cord is accessible when the dryer is in an installed position. If a 2-prong receptacle is present, it is the owner's responsibility to have a licensed electrician replace it with a properly grounded 3-prong grounding type receptacle.



### ELECTRICAL CONNECTION INFORMATION FOR GAS DRYERS (cont.)

- Dryer must be electrically grounded in accordance with local codes and ordinances, or in the absence of local codes, with the latest edition of the NATIONAL ELECTRICAL CODE, ANSI/NFPA NO. 70 or CANADIAN ELECTRICAL CODE, CSA C22.1. Check with a licensed electrician if you are not sure that the dryer is properly grounded.

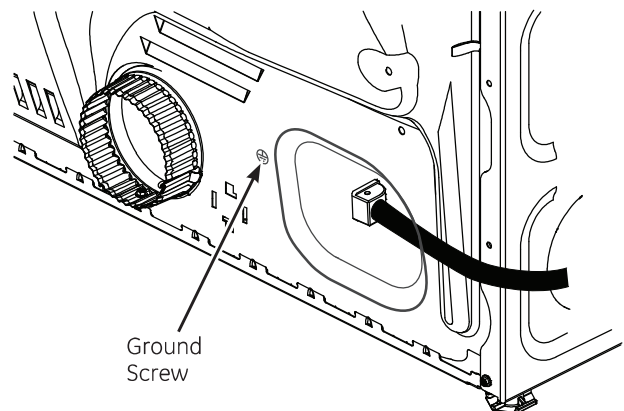
### GROUNDING INSTRUCTIONS

This dryer must be grounded. In the event of a malfunction or breakdown, grounding will reduce the risk of electric shock by providing a path of least resistance for electric current. This dryer uses a cord having an equipment-grounding conductor and a grounding plug. The plug must be plugged into an appropriate outlet that is properly installed and grounded in accordance with all local codes and ordinances.

**⚠ WARNING** Improper connection of the equipment-grounding conductor can result in a risk of electric shock. Check with a qualified electrician, or service representative or personnel, if you are in doubt as to whether the appliance is properly grounded. **DO NOT** modify the plug on the power supply cord. If it will not fit the outlet, have a proper outlet installed by a qualified electrician.

### SAVE THESE INSTRUCTIONS

- If required by local codes, an external 18 gauge or larger copper ground wire (not provided) may be added. Attach to dryer cabinet with a #8-18 x 1/2" sheet metal screw (available at any hardware store) to rear of dryer as illustrated.







# Installation Instructions

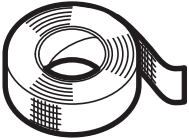
## CONNECTING AN ELECTRIC DRYER

(Skip for gas dryers and if your dryer already has a power cord attached)

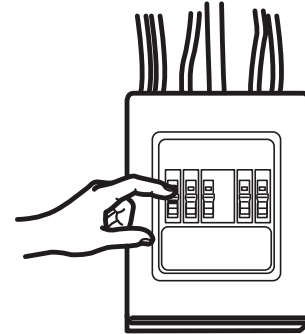
### TOOLS YOU WILL NEED

- Slip-joint pliers 
- Phillips screwdriver 
- Flat-blade screwdriver 
- Level 

### MATERIALS YOU WILL NEED

- 4" dia. metal elbow 
- Gloves 
- 3/4" strain relief (UL recognized) 
- Exhaust hood 
- 4" duct clamps (2) or 4" spring clamps (2) 
- Duct tape 
- Safety glasses 
- Dryer power cord kit (not provided with dryer)  
UL rated 120/240V, 30A with 3 or 4 prongs. Identify the plug type as per the house receptacle before purchasing line cord. 
- 4" dia. metal duct (recommended) 
- 4" dia., UL-listed flexible metal duct (if needed) 
- 4" Cover Plate (Kit WE49X22606) 

Before making the electrical connection, turn off the circuit breaker(s) or remove the dryer's circuit fuse(s) at the electrical box. Be sure the dryer cord is unplugged from the wall. NEVER LEAVE THE ACCESS COVER OFF THE TERMINAL BLOCK.



# Installation Instructions

## CONNECTING AN ELECTRIC DRYER (cont.)

(Skip for gas dryers and if your dryer already has a power cord attached)

### ELECTRICAL CONNECTION INFORMATION FOR ELECTRIC DRYERS

For electrical connections using a power cord:

**⚠ WARNING**  - Fire Hazard

Use a new UL-listed 240V 30 amp dryer power supply cord with closed ring terminals or spade terminals with upturned ends.

Use a UL-listed strain relief.

Disconnect power before making electrical connections.

Connect neutral wire (white or center wire) to center terminal.

Ground wire (green or bare wire) must be connected to green ground connector.

Connect remaining two supply wires to remaining two terminals.

Securely tighten all electrical connections.

Replace the terminal block cover.

Failure to do so can result in death, fire or electrical shock.

### GROUNDING INSTRUCTIONS

**For a grounded, cord-connected dryer:** This dryer must be grounded. In the event of a malfunction or breakdown, grounding will reduce the risk of electric shock by providing a path of least resistance for electric current. This dryer uses a cord having an equipment-grounding conductor and a grounding plug. The plug must be plugged into an appropriate outlet that is properly installed and grounded in accordance with all local codes and ordinances.

**⚠ WARNING** Improper connection of the equipment-grounding conductor can result in a risk of electrical shock. Check with a qualified electrician, or service representative or personnel, if you are in doubt as to whether the appliance is properly grounded. **DO NOT** modify the plug on the power supply cord. If it will not fit the outlet, have a proper outlet installed by a qualified electrician.

**SAVE THESE INSTRUCTIONS**

### ELECTRICAL CONNECTION INFORMATION FOR ELECTRIC DRYERS

For direct wire connections:

**⚠ WARNING**  - Fire Hazard

Use 10 gauge copper wire.

Use a UL-listed strain relief.

Disconnect power before making electrical connections.

Connect neutral wire (white or center wire) to center terminal.

Ground wire (green or bare wire) must be connected to green ground connector.

Connect remaining two supply wires to remaining two terminals.

Securely tighten all electrical connections.

Replace the terminal block cover.

Failure to do so can result in death, fire or electrical shock.

### GROUNDING INSTRUCTIONS

**For a permanently connected dryer:** This dryer must be connected to a grounded metal, permanent wiring system, or an equipment-grounding conductor must be run with the circuit conductors and connected to the equipment-grounding terminal on the appliance.

**⚠ WARNING** Improper connection of the equipment-grounding conductor can result in a risk of electrical shock. Check with a qualified electrician, or service representative or personnel, if you are in doubt as to whether the appliance is properly grounded.

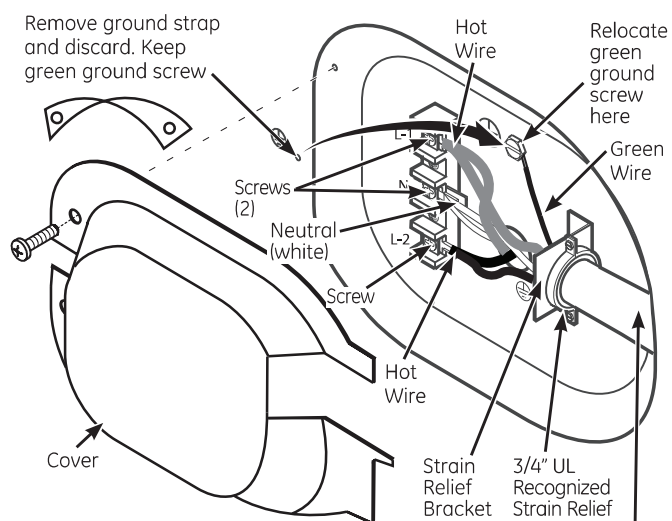
**SAVE THESE INSTRUCTIONS**

# Installation Instructions

## CONNECTING DRYER USING 4-WIRE CONNECTION (MUST BE USED FOR MOBILE HOME INSTALLATION)

**NOTE:** Since January 1, 1996, the National Electrical Code requires that new constructions use a 4-wire connection to an electric dryer. A 4-wire cord must also be used where local codes do not permit grounding through the neutral.

3-wire connection is NOT for use on new construction.



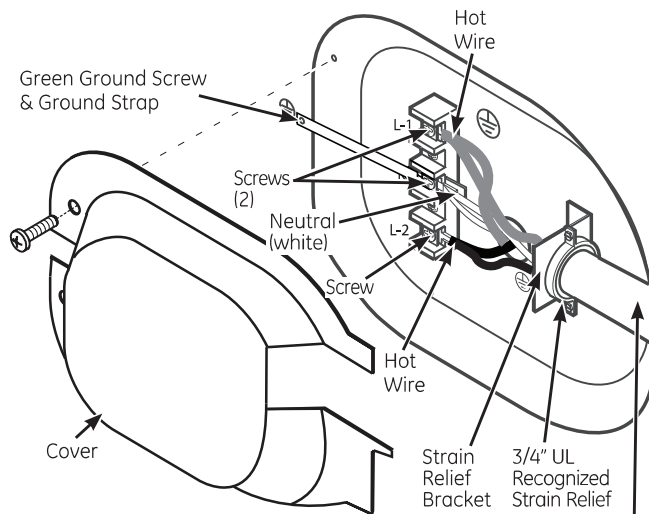
4 #10 AWG minimum copper conductors or 120/240V 30A power supply cord kit marked for use with dryers and provided with closed loop or spade terminals with upturned ends (not supplied).

1. Turn off the circuit breaker(s) (30 amp) or remove the dryer's circuit fuse at the electrical box.
2. Be sure the dryer cord is unplugged from the wall receptacle.
3. Remove the power cord cover located at the lower back.
4. Remove and discard ground strap. Keep the green ground screw for Step 7.
5. Install 3/4 in. UL-recognized strain relief to power cord entry hole. Bring power cord through strain relief.
6. Connect power cord as follows:
  - A. Connect the 2 hot lines to the outer screws of the terminal block (marked L1 and L2).
  - B. Connect the neutral (white) line to the center of the terminal block (marked N).
7. Attach ground wire of power cord with the green ground screw (hole above strain relief bracket). Tighten all terminal block screws (3) securely.
8. Properly secure power cord to strain relief.
9. Reinstall the cover.

**NEVER LEAVE THE COVER OFF OF THE TERMINAL BLOCK.**

## CONNECTING DRYER USING 3-WIRE CONNECTION

If required, by local code, install external ground (not provided) to grounded metal, cold water pipe, or other established ground determined by a qualified electrician.



3 #10 AWG minimum copper conductors or 120/240V 30A power supply cord kit marked for use with dryers and provided with closed loop or spade terminals with upturned ends (not supplied).

### 3-wire Connection

Not for use in Canada.

DO NOT use for Mobile Home Installations.

NOT for use on new construction.

NOT for use on recreational vehicles.

NOT for use in areas where local codes prohibit grounding through the neutral conduction.

1. Turn off the circuit breaker(s) (30 amp) or remove the dryer's circuit fuse at the electrical box.
2. Be sure the dryer cord is unplugged from the wall receptacle.
3. Remove the power cord cover located at the lower back.
4. Install 3/4-in. UL-recognized strain relief to power cord entry hole. Bring power cord through strain relief.
5. Connect power cord as follows:
  - A. Connect the 2 hot lines to the outer screws of the terminal block (marked L1 and L2).
  - B. Connect the neutral (white) line to the center of the terminal block (marked N).
6. Be sure ground strap is connected to neutral (center) terminal of block and to green ground screw on cabinet rear. Tighten all terminal block screws (3) securely.
7. Properly secure power cord to strain relief.
8. Reinstall the cover.

**NEVER LEAVE THE COVER OFF OF THE TERMINAL BLOCK.**

# Installation Instructions

## EXHAUSTING THE DRYER

### **WARNING** - Fire Hazard

This dryer **MUST** be vented to the outdoors. Use only 4" rigid metal ducting for the home exhaust vent. Use only 4" rigid metal or UL-LISTED transition duct to connect the dryer to the home exhaust duct.

**DO NOT** use a plastic vent.

**DO NOT** exhaust into a chimney, kitchen exhaust, gas vent, wall, ceiling, attic, crawl space, or concealed space of a building.

**DO NOT** install a screen in or over the exhaust duct.

**DO NOT** install a booster fan in the exhaust duct

**DO NOT** use duct longer than specified in the exhaust length table.

Failure to follow safety warnings exactly could result in serious injury, death or property damage.

Install all clothes dryers in accordance with the installation instructions of the manufacturer of the dryer.

### TOOLS AND MATERIALS YOU WILL NEED TO INSTALL EXHAUST DUCT

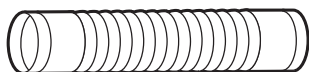
Phillips-head screwdriver



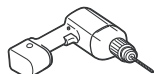
Duct tape or duct clamp



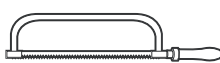
Rigid or UL-listed flexible metal 4" (10.2 cm) duct



Drill with 1/8" drill bit (for bottom venting)



Hacksaw



Vent hood



### PARTS AVAILABLE FROM GE APPLIANCES.CA OR LOCAL SERVICE ORGANIZATIONS

<b>PM8X85</b>	Outdoor exhaust hood
<b>PM08X10085</b>	8' Flexible metal clothes dryer transition duct with 2 clamps
<b>WX08X10130</b>	4" Dryer exhaust clamp
<b>WE49X22606</b>	Rear exhaust opening cover, for side or bottom vented dryers

### CONNECTING THE DRYER TO HOUSE VENT

#### RIGID METAL TRANSITION DUCT

- For best drying performance, a rigid metal transition duct is recommended.
- Rigid metal transition ducts reduce the risk of crushing and kinking.

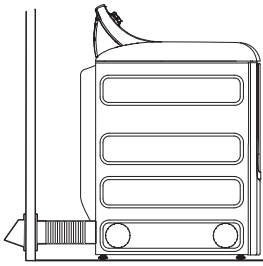
#### UL-LISTED FLEXIBLE METAL CLOTHES DRYER TRANSITION DUCT

- If rigid metal cannot be used, then UL-LISTED flexible metal clothes dryer transition duct (GE Appliances part – PM08X10085) can be used.
- Never install transition duct in walls, ceilings, floors or other enclosed spaces.
- Total length of transition duct should not exceed 8' (2.4 m).
- For many applications, installing elbows at both the dryer and the wall is highly recommended (see illustrations at right). Elbows allow the dryer to sit close to the wall without kinking and/or crushing the transition duct, maximizing drying performance.
- Avoid resting the duct on sharp objects.

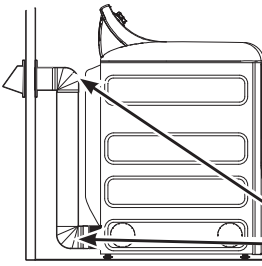
#### UL-LISTED FLEXIBLE METAL (FOIL-TYPE) TRANSITION DUCT

- In special installations, it may be necessary to connect the dryer to the home exhaust vent using flexible metal (foil-type) transition duct. UL-LISTED universal flexible dryer transition duct (GE Appliances parts – PM8X73 or WX8X73) may be used **ONLY** in installations where rigid metal or flexible metal transition ducting cannot be used **AND** where a 4" diameter can be maintained throughout the entire length of the transition duct.
- In Canada and the United States, only transition ducts that comply with "**UL 2158A STANDARD FOR CLOTHES DRYER TRANSITION DUCT**" shall be used.
- Avoid resting the duct on sharp objects.
- For best drying performance:
  1. Slide one end of the duct over the clothes dryer outlet pipe.
  2. Secure the duct with a clamp.
  3. With the dryer in its permanent position, extend the duct to its full length. Allow 2" of duct to overlap the exhaust pipe. Cut off and remove excess duct. Keep the duct as straight as possible for maximum airflow.
  4. Secure the duct to the exhaust pipe with the other clamp.

# Installation Instructions




- **DO** cut duct as short as possible and install straight into wall.

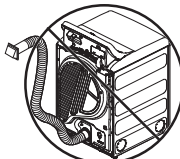


- **DO** use elbows when turns are necessary.

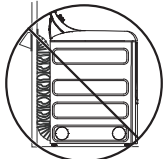
Elbows



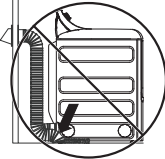
- **DO NOT** bend or collapse ducting. Use elbows if turns are necessary.



- **DO NOT** use excessive exhaust length. Cut duct as short as possible.



- **DO NOT** crush duct against the wall.



- **DO NOT** set dryer on duct.

## EXHAUST LENGTH

Using exhaust longer than specified length will:

- Increase the drying times and the energy cost.
- Reduce the dryer life.
- Accumulate lint, creating a potential fire hazard.

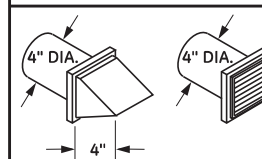
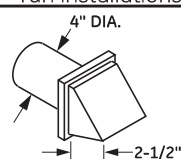
**The correct exhaust installation is YOUR RESPONSIBILITY.**

**Problems due to incorrect installation are not covered by the warranty.**

The **MAXIMUM ALLOWABLE** length of the exhaust system depends upon the type of duct, number of turns, the type of exhaust hood (wall cap) and all conditions noted on the chart.

- Internal elbows added for side or bottom vent conversions must be included in the total elbow count.
- Any elbow greater than 45° should be treated as a 90° elbow.
- Two 45° elbows will be treated like one 90° elbow.
- For every additional 90° elbow, reduce the allowable vent system length by 10 feet.
- When calculating the total vent system length, you must add all the straight portions and elbows of the system (including the transition duct).

## EXHAUST LENGTH

RECOMMENDED MAXIMUM LENGTH		
Exhaust Hood Types		
	Recommended	Use only for short run installations
		
No. of 90° Elbows	Rigid Metal	Rigid Metal
0	120 Feet	90 Feet
1	100 Feet	75 Feet
2	85 Feet	65 Feet
3	70 Feet	55 Feet
4	60 Feet	45 Feet
5	55 Feet	35 Feet

# Installation Instructions

## EXHAUSTING THE DRYER (cont.)

### EXHAUST SYSTEM CHECKLIST

#### HOOD OR WALL CAP

- Terminate in a manner to prevent back drafts or entry of birds or other wildlife.
- Termination should present minimal resistance to the exhaust airflow and should require little or no maintenance to prevent clogging.
- Wall caps must be installed at least 12" above ground level or any other obstruction with the opening pointed down.

#### SEPARATION OF TURNS

- For best performance, separate all turns by at least 4 ft. of straight duct, including distance between last turn and dampened wall cap.

#### SEALING OF JOINTS

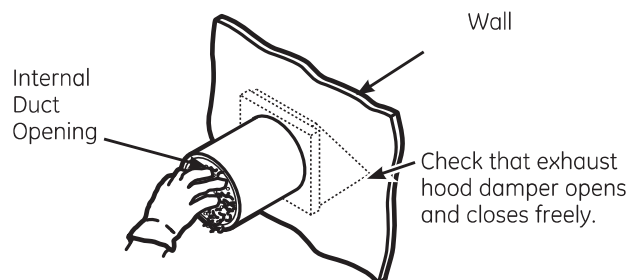
- All joints should be tight to avoid leaks. The male end of each section of duct must point away from the dryer.
- Duct joints should be made air- and moisture-tight by wrapping the overlapped joints with duct tape or aluminum tape.
- Do not assemble ductwork with any fasteners that extend into the duct. These fasteners can accumulate lint, creating a potential fire hazard.
- Horizontal runs should slope down towards the outdoors 1/4" per foot.
- Provide an access for inspection and cleaning of the exhaust system, especially at turns and joints. Exhaust system shall be inspected and cleaned at least once a year.

#### INSULATION

- Ductwork that runs through an unheated area or is near air conditioning should be insulated to reduce condensation and lint buildup.

### BEFORE YOU BEGIN

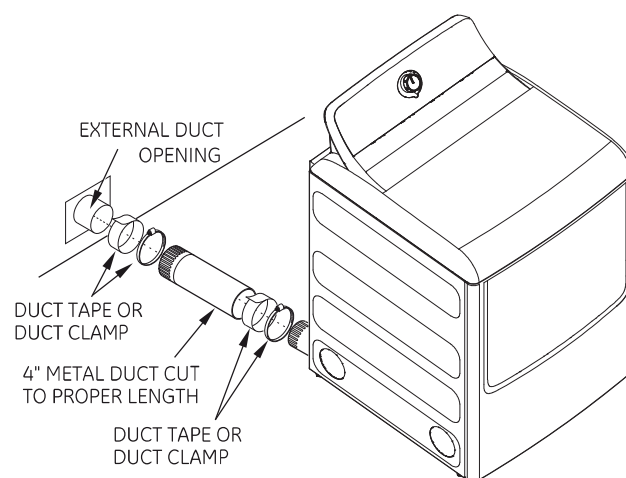
- Remove and discard existing plastic or metal foil duct and replace with UL-listed duct.
- Remove any lint from the wall exhaust opening.



### STANDARD REAR EXHAUST

We recommend that you install your dryer before installing your washer. This will permit direct access for easier exhaust connection.

Slide the end of the exhaust duct on the back of the dryer and secure with duct tape or a duct clamp.

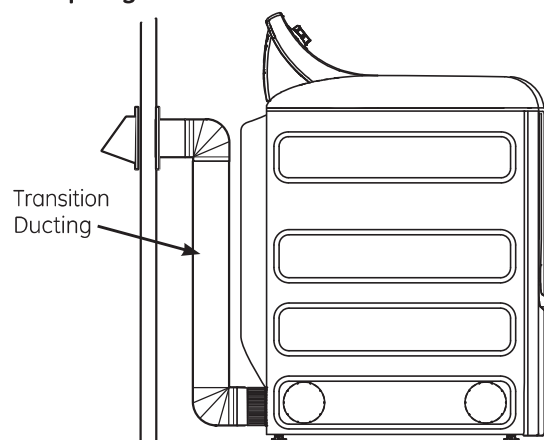


**NOTE:** We strongly recommend using rigid metal exhaust duct. However, if flexible ducting is used it must be UL-listed metal, not plastic.

- For straight-line installation, connect the dryer exhaust to the wall, using duct tape or a duct clamp.

### RECOMMENDED CONFIGURATION TO MINIMIZE EXHAUST BLOCKAGE

Using duct elbows will prevent duct kinking and collapsing.



# Installation Instructions

## SIDE OR BOTTOM VENTING

Dryer Exhaust to right of cabinet for Electric models only.

Dryer Exhaust to left of cabinet for Gas and Electric models.

Dryer Exhaust to the bottom of cabinet for Gas and Electric models.

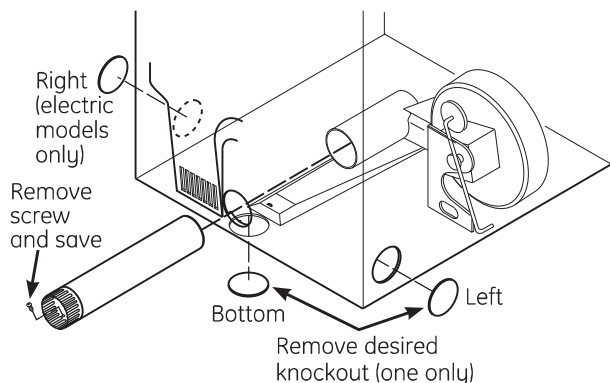
### **⚠ WARNING** - Fire Hazard

Close the back opening with cover plate (Kit WE1M454).

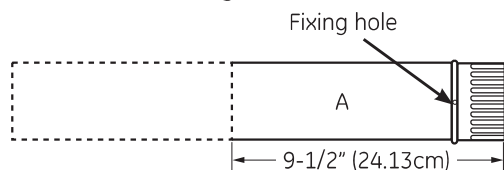
Disconnect dryer from electrical supply.

Wear gloves and arm guards.

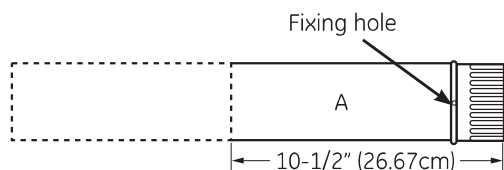
Failure to do so may result in fire, electrical shock or lacerations.



Detach and remove the right (electric models only), left or bottom knockout as desired. Remove the screw inside the dryer exhaust duct and save. Pull the duct out of the dryer.

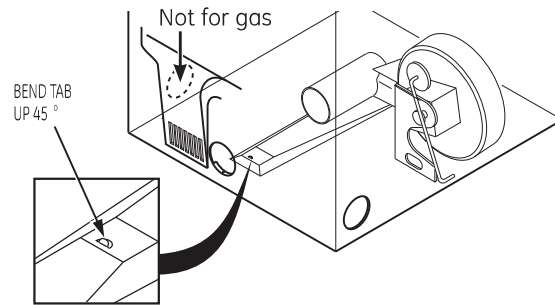


For models GTD60, GTD65, GTD68 and GTD75 only, use the dimension below.



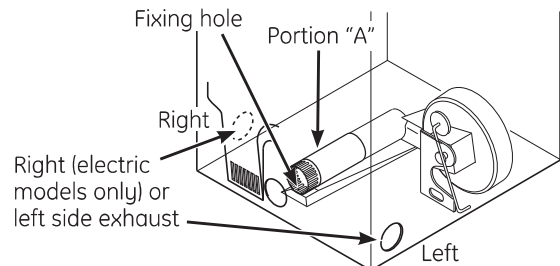
Cut the duct as shown and keep portion A.

## TAB LOCATION



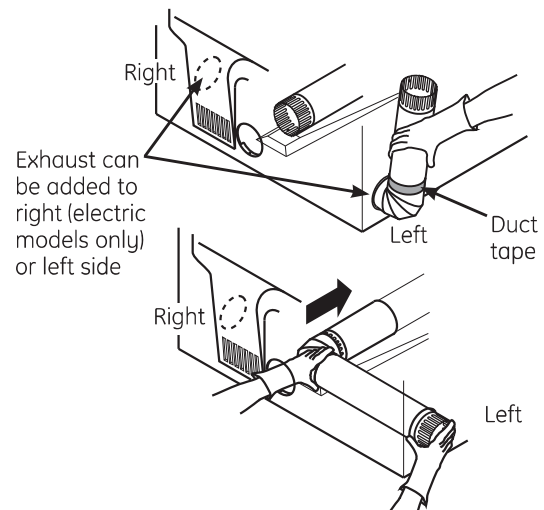
Through the rear opening, locate the tab in the middle of the appliance base. Lift the tab to about 45°, using a flat-blade screwdriver.

## ADDING A NEW DUCT



Reconnect the cut portion (A) of the duct to the blower housing. Make sure that the shortened duct is aligned with the tab in the base. Use the screw saved previously to secure the duct in place through the tab on the appliance base.

## ADDING ELBOW AND DUCT FOR EXHAUST TO SIDE OF CABINET



- Preassemble 4" elbow with 4" duct. Wrap duct tape around joint.
- Insert duct assembly, elbow first, through the side opening and connect the elbow to the dryer internal duct.

**Be sure not to pull or damage the electrical wires inside the dryer when inserting the duct.**

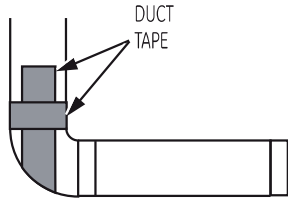
# Installation Instructions

## EXHAUSTING THE DRYER (cont.)

### SIDE OR BOTTOM VENTING (cont.)

#### ADDING ELBOW AND DUCT FOR EXHAUST TO LEFT OR RIGHT SIDE OF CABINET (cont.)

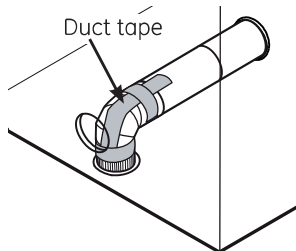
- Apply duct tape as shown on the joint between the dryer internal duct and the elbow, and also the joint between the elbow and the side duct.



Use 4" rigid metal ducting only inside the dryer. Internal duct joints must be secured with tape, otherwise they may separate and cause a safety hazard.

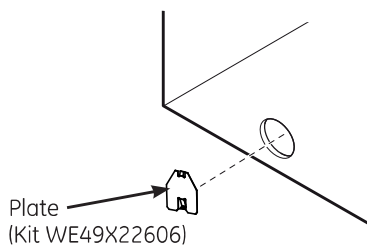
#### ADDING ELBOW FOR EXHAUST THROUGH BOTTOM OF CABINET

- Insert the elbow through the rear opening and connect it to the dryer internal duct.
- Apply duct tape as shown on the joint between the dryer internal duct and the elbow, and also the joint between the elbow and the bottom duct.



Internal duct joints must be secured with tape; otherwise, they may separate and cause a safety hazard.

#### ADDING COVER PLATE TO REAR OF CABINET



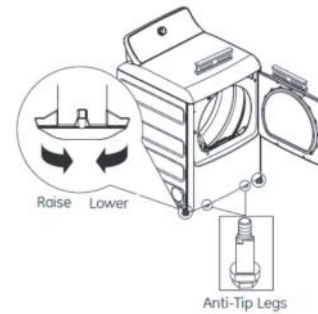
Connect standard metal elbows and ducts to complete the exhaust system. Cover back opening with a plate (Kit WE49X22606) available from your local service provider. Place dryer in final location.

**NEVER LEAVE THE BACK OPENING WITHOUT THE PLATE. (Kit WE49X22606)**

## FINAL SETUP

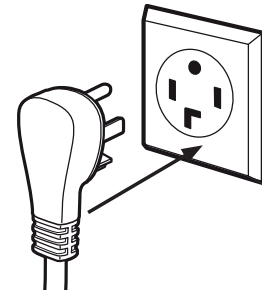
### 1 LEVEL THE DRYER

Stand the dryer upright near the final location and adjust the leveling legs at the corners to ensure the dryer is level side-to-side and front-to-back. Then, adjust the two anti-tip legs at the front inner corners, taking care that they are touching the floor to avoid unit tip over. The installation is not complete until this process is finished.



### 2 PLUG DRYER IN

Ensure proper ground exists before use.



### 3 DRYER START-UP

Press the **Power** button.



**NOTE:** If the dryer has been exposed to temperatures below freezing for an extended period of time, allow it to warm up before pressing **Power**. Otherwise, the display will not come on.

The dryer is now ready for use.

# Installation Instructions

## REVERSING THE DOOR

### ABOUT REVERSING THE DOOR

#### IMPORTANT NOTES:

- Read the instructions all the way through before starting.
- Handle parts carefully to avoid scratching paint.
- Set screws down by their related parts to avoid using them in the wrong places.
- Provide a non-scratch work surface for the door.
- Normal completion time to reverse the door swing is 30–60 minutes.

#### IMPORTANT:

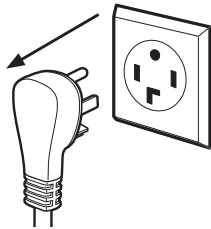
Once you begin, do not move the cabinet until door swing reversal is completed. These instructions are for changing the hinges from the right side to the left side - if you ever want to switch them back to the right side, follow these same instructions and reverse all references to the left and right.

#### Tools needed:

- Standard #2 Phillips screwdriver
- Tape-tipped putty knife
- Small flat blade screwdriver

#### Before you start

Unplug the dryer from its electrical outlet

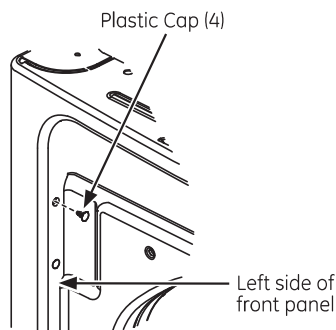


Choose the **REVERSING THE DOOR** instructions

**A** or **B** for your model.

### **A** REVERSING THE DOOR - SOLID DOOR MODELS

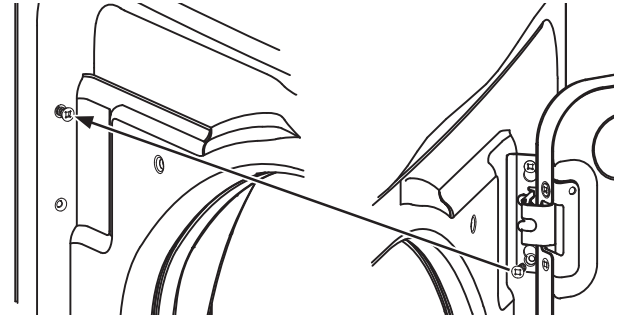
- 1 Open the door approximately 130 degrees. With a putty knife, remove the 4 plastic caps located along the left side of the front panel and set them aside.



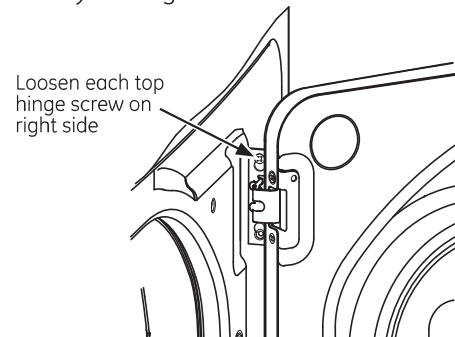
### **A** REVERSING THE DOOR - SOLID DOOR MODELS (cont.)

- 2 Remove the bottom screw from each hinge (right side) and partially insert them into each top hinge hole on the left side.

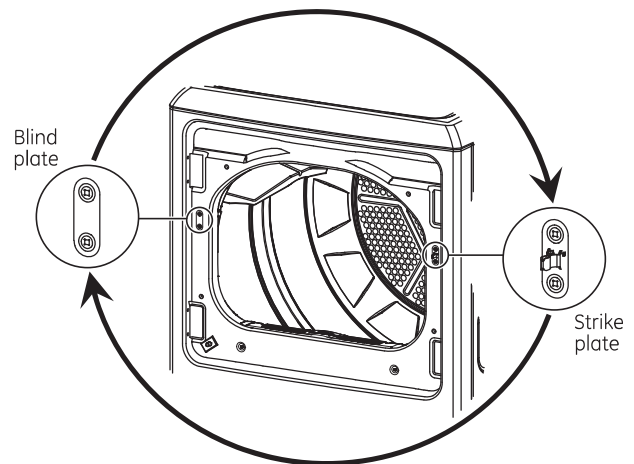
**NOTE:** All 4 front panel hinge screws will now be in the top hinge holes - 2 on the left and 2 on the right.



- 3 Loosen each top hinge screw on right side. Remove the door and place it on a protective flat surface to avoid any damage.



- 4 Remove both the blind plate and the strike plate and install them in opposite positions.

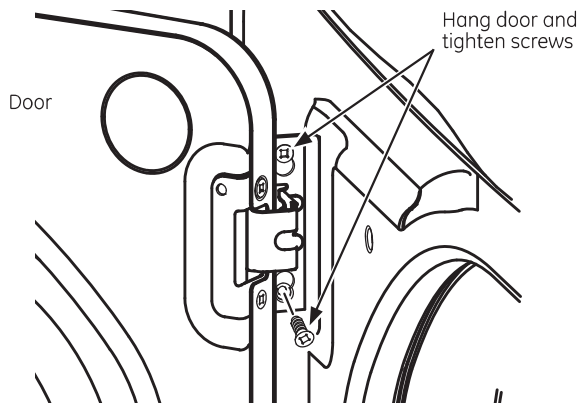


# Installation Instructions

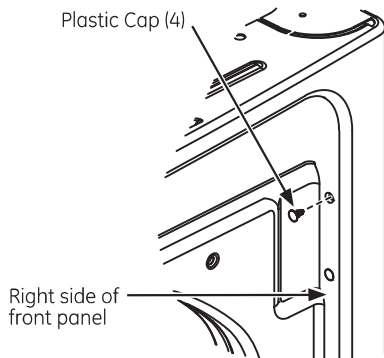
## REVERSING THE DOOR (cont.)

### A REVERSING THE DOOR - SOLID DOOR MODELS (cont.)

- 5 Mount the door on the 2 upper left side hinge screws installed in step 2. Move the hinge screws loosened in step 3 into the lower left side screw holes and firmly tighten all 4 screws.



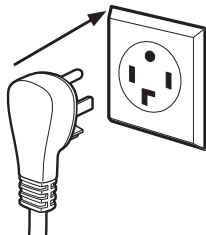
- 6 Install the 4 plastic caps removed in step 1 into the 4 right side front panel holes.



**NOTE:** To return the door to the original setup, follow these instructions, swapping "left" and "right".

### When you finish

Plug the dryer back into its electrical outlet.

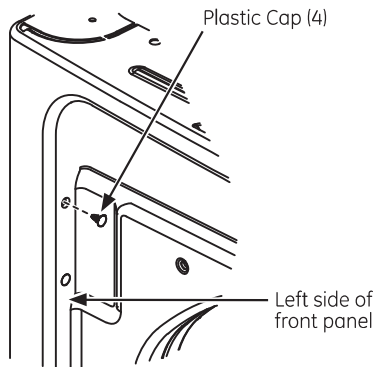


# Installation Instructions

## REVERSING THE DOOR

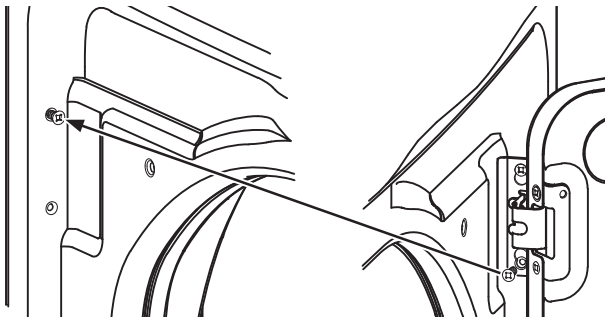
### B REVERSING THE DOOR - GLASS PANEL DOOR MODELS

- 1 Open the door approximately 130 degrees. With a putty knife, remove the 4 plastic caps located along the left side of the front panel and set them aside.

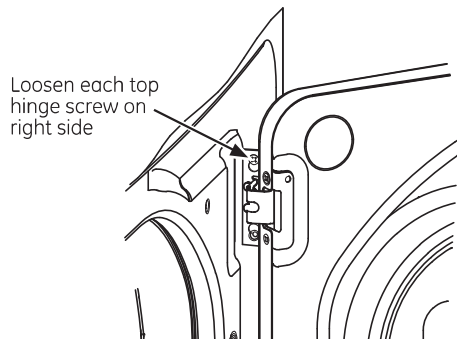


- 2 Remove the bottom screw from each hinge (right side) and partially insert them into each top hinge hole on the left side.

**NOTE:** All 4 front panel hinge screws will now be in the top hinge holes - 2 on the left and 2 on the right.

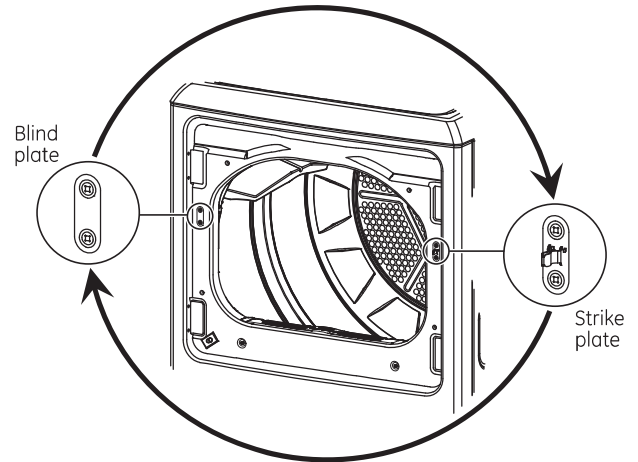


- 3 Loosen each top hinge screw on right side. Remove the door and place it on a protective flat surface to avoid any damage.

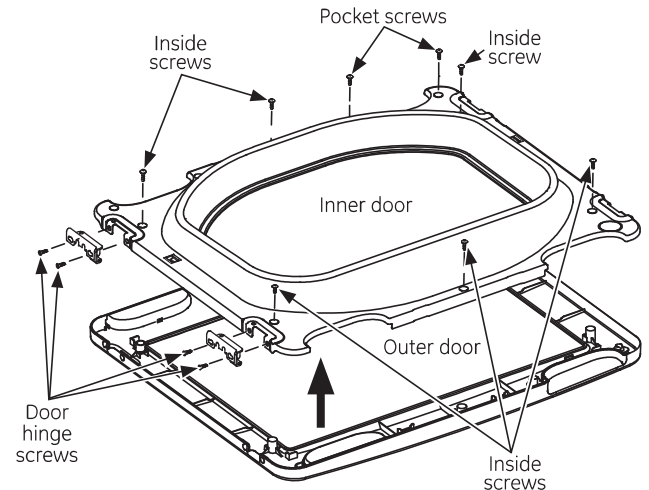


### B REVERSING THE DOOR - GLASS PANEL DOOR MODELS (cont.)

- 4 Remove both the blind plate and the strike plate and install them in the opposite positions.



- 5 Remove the 4 door hinge screws, 6 inside screws and 2 pocket screws. Lift the inner door upwards using a flat blade screwdriver.

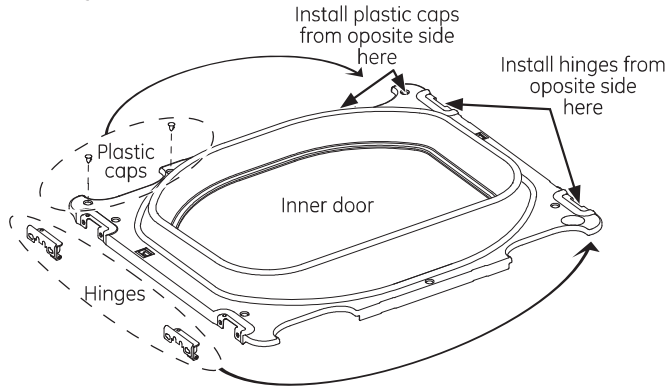


# Installation Instructions

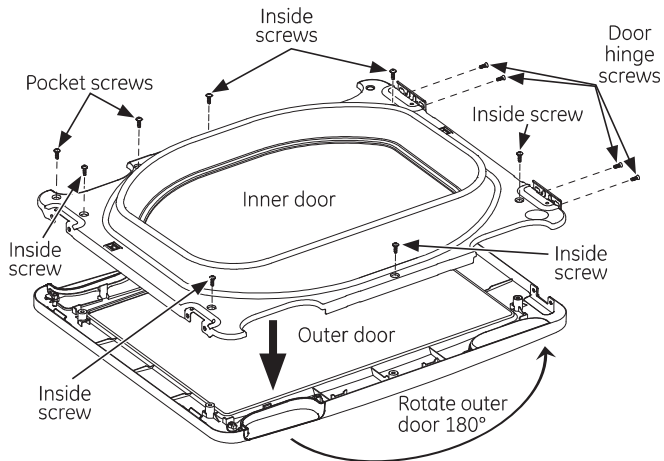
## REVERSING THE DOOR (cont.)

### B REVERSING THE DOOR - GLASS PANEL DOOR MODELS (cont.)

- 6 Remove and swap the 2 plastic caps and the 2 hinges.

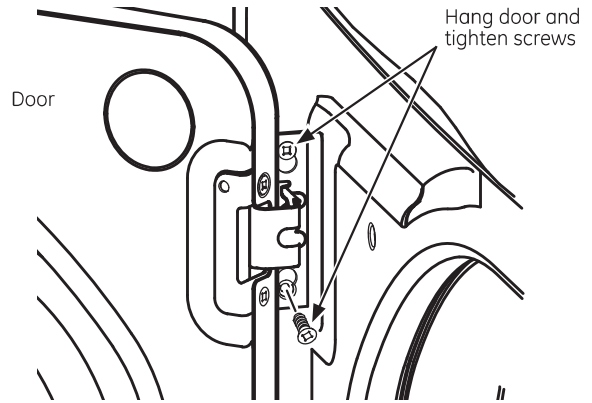


- 7 Rotate the outer door 180 degrees, mount the inner door back into the outer door frame and secure with the screws removed in step 5. Make sure you mount the hinges on the side opposite the pocket.

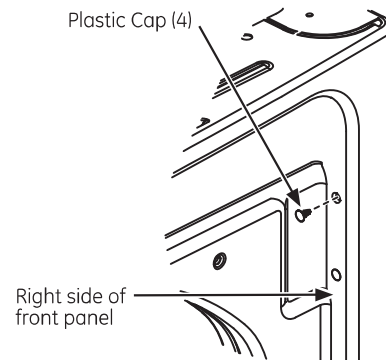


### B REVERSING THE DOOR - GLASS PANEL DOOR MODELS (cont.)

- 8 Mount the assembled door on the 2 upper left side hinge screws installed in step 2. Move the hinge screws loosened in step 2 into the lower left side screw holes and firmly tighten all 4 screws.



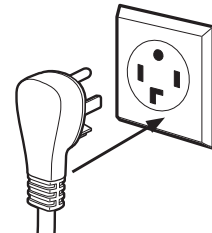
- 9 Install the 4 plastic caps removed in step 1 into the 4 right side front panel holes.



**NOTE:** To return the door to the original setup, follow these instructions, swapping "left" and "right".

### When you finish

Plug the dryer back into its electrical outlet.



# Instructions d'Installation

# Sécheuses

Questions? Appelez le GE Appliances 1-800-GE-CARES (1-800-432-2737) ou visitez notre site web :  
[www.electromenagersGE.ca](http://www.electromenagersGE.ca)

## AVANT DE COMMENCER

Lisez ces instructions complètement et attentivement.

- **IMPORTANT** – Gardez ces instructions pour l'usage de l'inspecteur électrique local.
- **IMPORTANT** – Respectez tous les codes et règlements.
- Installez la sécheuse conformément aux instructions du fabricant et à la réglementation locale.
- **Remarque pour l'installateur** Laissez ces instructions au client.
- **Remarque pour le client** Gardez ces instructions pour consultation ultérieure.
- L'installation de la sécheuse doit être effectuée par un installateur qualifié.
- Cette sécheuse doit être ventilée vers l'extérieur.
- Avant d'entreposer ou de jeter votre vieille sécheuse, enlevez la porte.
- Les renseignements sur l'entretien et le diagramme de câblage sont situés dans la console de commande.
- Ne laissez pas les enfants grimper sur ou à l'intérieur de l'appareil. Une surveillance étroite est nécessaire lorsque l'appareil est utilisé près d'eux.
- C'est à l'installateur qu'incombe la responsabilité d'une installation correcte.
- Une panne du produit due à une installation incorrecte n'est pas couverte par la garantie.
- Pour un fonctionnement satisfaisant du système de contrôle de la sécheuse, installez l'appareil dans un endroit où la température est supérieure à 50 °F (10 °C).
- Remplacez tout conduit de plastique ou de feuille métallique par un conduit homologué UL.

## **AVERTISSEMENT** - Risque d'Incendie

- L'installation de la sécheuse doit être effectuée par un installateur qualifié.
- Installez la sécheuse conformément à ces instructions et à la réglementation locale.
- **NE PAS** installer la sécheuse en utilisant des conduits de ventilation en plastique flexible. Si un conduit de métal flexible (semi-rigide ou de type feuille métallique) est installé, il doit être homologué UL et installé conformément aux instructions dans « Raccorder la Sécheuse au Système de Ventilation » présentées ultérieurement dans ce manuel. Les matériaux des conduits flexibles sont connus pour se fendre, s'écraser et être des pièges à peluches. Ces conditions vont obstruer le courant d'air de la sécheuse et augmenter les risques d'incendie.
- **NE PAS installer ni entreposer cet appareil dans un** endroit où il pourrait être exposé à l'eau ou aux intempéries.
- Pour réduire les risques de blessures graves ou de mort, suivez toutes les instructions d'installation.
- Gardez ces instructions. (Installateurs: laissez ces instructions au client.)

## **POUR SÉCHEUSES À GAZ SEULEMENT DANS L'ÉTAT DU MASSACHUSETTS, LES INSTRUCTIONS D'INSTALLATION SUIVANTES APPLIQUENT :**

- L'installation doit être effectuée par un entrepreneur qualifié ou sous licence, plombier, ou un monteur d'installations au gaz qualifié autorisé par l'État.
- Si vous utilisez une vanne à bille, elle doit être munie d'une poignée en « T ».
- Un embout de gaz flexible, lorsqu'il est utilisé, ne doit pas dépasser 3 pieds.



**234D2318P006**

29-6075-2 06-17 GEA

# Instructions d'Installation

## Avertissement sur la Proposition 65 de l'État de la Californie :

### ⚠ AVERTISSEMENT

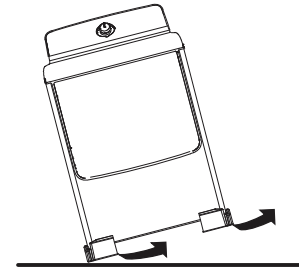
Ce produit contient un ou des produits chimiques reconnus dans l'état de Californie pour causer le cancer, des anomalies congénitales ou d'autres problèmes liés à la reproduction.

Les appareils au gaz peuvent causer des expositions de faible intensité à certaines de ces substances, y compris au benzène, au monoxyde de carbone, au formaldéhyde et à la suie, provoquées principalement par une combustion incomplète du gaz naturel ou du pétrole liquéfié (propane). L'exposition à ces substances peut être réduite au minimum par la ventilation adéquate de la sècheuse vers l'extérieur.

## DÉBALLAGE DE VOTRE SÈCHEUSE

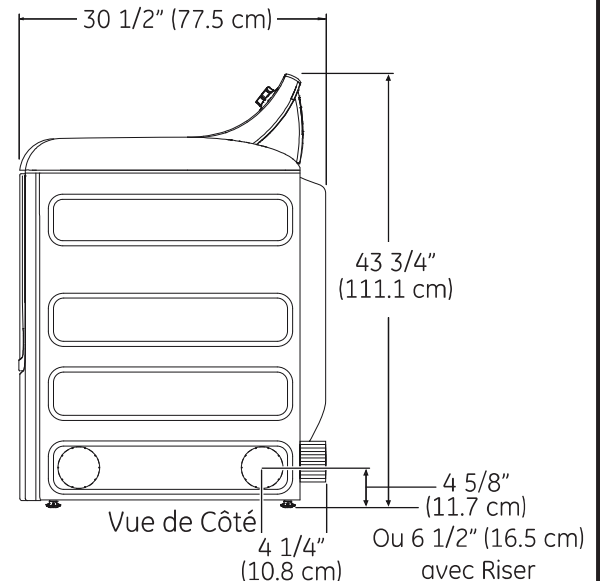
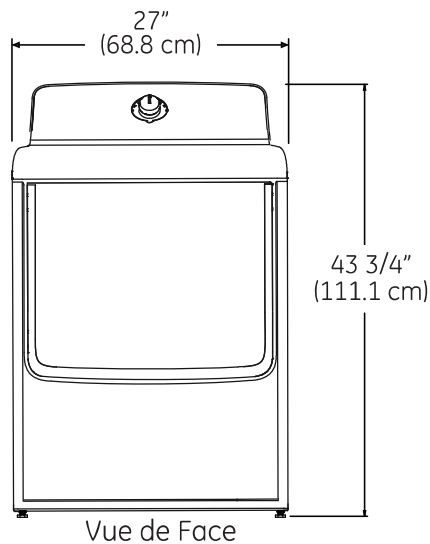
Inclinez la sècheuse latéralement et enlevez le rembourrage de transport en polystyrène en tirant sur les côtés.

Enlevez la documentation et le sac contenant les accessoires.



## DIMENSIONS APPROXIMATIVES

Pieds Cubes	X	Y
6.0	43 3/8" (110 cm)	26 3/4" (68 cm)
7.0	43 3/8" (110 cm)	29 1/2" (75 cm)
7.3	43 3/4" (111 cm)	30 1/2" (78 cm)
7.4 (avec riser)	45 1/2" (116 cm)	30 1/2" (78 cm)



## TUYAUX À VAPEUR :

GE Appliances recommande fortement d'utiliser les pièces spécifiées du fabricant. Ces tuyaux sont manufacturés et testés pour satisfaire les spécifications de GE Appliances.

GE Appliances recommande fortement d'utiliser de nouveaux tuyaux à vapeur.

Les tuyaux se détériorent au fil du temps et doivent être remplacés tous les 5 ans pour réduire les risques de failles et de dégât d'eau.

### Pièces et Accessoires

Commandez en ligne sur [www.electromenagersGE.ca](http://www.electromenagersGE.ca), 24 heures sur 24 ou par téléphone au **1-800-661-1616** pendant les heures ouvrables normales.

### Numéro de Pièce

WE25X20060

### OU

WE1M847  
WE01X22395  
PM14X10056

WX14X10007

### Accessoire

Trousse Complète (tuyaux, raccords en Y) (inclus)

Tuyau Long et  
Tuyau Court

Brosse pour sortie d'air de sècheuse (non inclus)

Brosse pour tube rotatif de sècheuse LintEater™ (non inclus)

# Instructions d'Installation

## EXIGENCES D'INSTALLATION DANS UNE ALCÔVE OU UN PLACARD

### **AVERTISSEMENT** - Risque d'Explosion

Gardez les matières et les vapeurs inflammables, telle que l'essence, loin de la sècheuse.

Pour une installation dans un garage, installez la sècheuse à au moins 18" (46 cm) au-dessus du plancher.

La non-observance de la présente directive peut entraîner la mort, une explosion, ou un incendie.

- Si la sècheuse est conçue pour être installée dans alcôve ou un placard, cela sera indiqué sur une étiquette apposée sur le panneau arrière.
  - La sècheuse DOIT être ventilée vers l'extérieur. Consultez la section « ÉCHAPPEMENT DE LA SÈCHEUSE »
  - L'espace minimum entre la sècheuse et les murs adjacents ou autres surfaces est le suivant :
    - 0" de chaque côté
    - 1" à l'avant
    - 1" à l'arrière
    - 1" à l'hauf
  - Il faut assurer un espace suffisant pour l'installation et l'entretien.
  - Les portes du placard doivent être abaissées ou ventilées et il doit y avoir un espace ouvert d'au moins 60 pouces carrés. Si le placard abrite à la fois une laveuse et une sècheuse, il doit y avoir un espace ouvert d'au moins 120 pouces carrés.
- NOTE : SI LE TUYAU D'ÉVACUATION EST SITUÉ À L'ARRIÈRE DE LA SÈCHEUSE, L'ESPACE OUVERT DEVRA ÊTRE DE PLUS DE 3".**

### Pour les Sêcheuses à Gaz Uniquement :

- Aucun autre appareil à combustible ne doit être installé dans le même placard qu'une sècheuse à gaz.
- Le sècheuse doit être débranchée de l'approvisionnement en gaz durant la vérification de la pression à une pression de plus de ½ psi (3.5 kPa).
- Un bouchon de tuyau NPT d'un minimum de 1/8 pouce, accessible pour le raccordement d'une jauge de test, doit être installé immédiatement en amont de la connexion de l'approvisionnement en gaz de la sècheuse.

## MINIMUM D'ESPACE POUR UNE INSTALLATION AUTRE QUE DANS UNE ALCÔVE OU UN PLACARD

L'espace minimum pour des surfaces combustibles et pour l'ouverture d'aération est le suivant : 0" des deux côtés, 1" à l'arrière; 1" à l'hauf. Il faut assurer un espace suffisant pour l'installation et l'entretien.

## INSTALLATION POUR MAISON MOBILE OU PRÉFABRIQUÉE

- L'installation doit être conforme à la NORME DE CONSTRUCTION ET DE SÉCURITÉ DES MAISONS PRÉFABRIQUÉES, TITRE 24, PARTIE 32-80 ou à la Norme CAN/CSA-Z240 MH, ou, lorsque ces normes ne sont pas applicables, avec la NORME NATIONALE AMÉRICAINE POUR LES MAISONS PRÉFABRIQUÉES, ANSI/NFPA NO. 501B.
- La sècheuse DOIT être ventilée vers l'extérieur.
- Le tuyau d'évacuation DOIT ÊTRE fixé solidement à une section ininflammable de la maison mobile.
- Le conduit d'évacuation NE DOIT PAS se terminer sous une maison mobile ou préfabriquée.
- Le conduit d'évacuation DOIT ÊTRE EN MÉTAL.
- La TROUSSE 14-D346-33 DOIT être utilisée pour fixer solidement la sècheuse à la structure.
- Le conduit d'évacuation NE DOIT PAS être installé à l'intérieur de tout autre conduit, ou cheminée.
- **NE PAS** utiliser de vis à tôle ou tout autre dispositif de fixation qui se prolonge à l'intérieur du tuyau d'évacuation.
- Prévoyez une ouverture d'au moins 25 pouces carrés pour l'introduction de l'air de l'extérieur dans la pièce où se trouve la sècheuse.
- Consultez les sections pour l'information sur les connexions électriques.

## FILS ÉLECTRIQUES :

GE recommande fortement d'utiliser les pièces spécifiées du fabricant. Choisissez le fil électrique qui convient aux besoins de l'installation.

Commandez en ligne sur [www.electromenagersGE.ca](http://www.electromenagersGE.ca), 24 heures sur 24 ou par téléphone au **1-800-661-1616** pendant les heures ouvrables normales.

Numéro de Pièce	Type	Longueur	Ampérage
WX9X2	3 Broches	4 Pieds	30
WX9X3	3 Broches	5 Pieds	30
WX9X4	3 Broches	6 Pieds	30
WX9X18	4 Broches	4 Pieds	30
WX9X19	4 Broches	5 Pieds	30
WX9X20	4 Broches	6 Pieds	30

# Instructions d'Installation

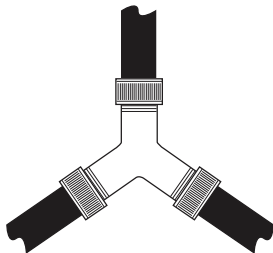
## RACCORDER LES TUYAUX D'ARRIVÉE

### RACCORDER LES TUYAUX D'ARRIVÉE (sur certains modèles)

Pour produire de la vapeur, la sècheuse doit être raccordée à l'alimentation en eau froide. Puisque la laveuse doit aussi être raccordée à l'eau froide, un embout en « Y » est inséré pour permettre aux deux tuyaux de faire ce raccord simultanément.

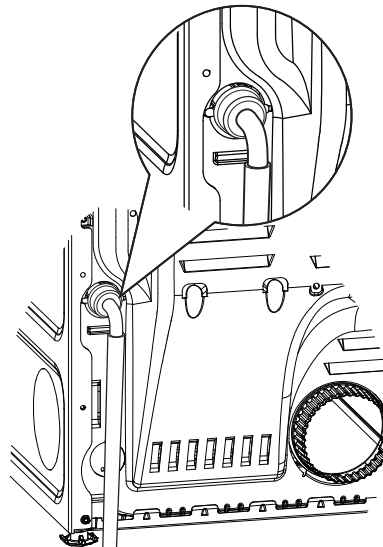
**NOTE :** Utilisez les tuyaux d'arrivée fournis; n'utilisez jamais de vieux tuyaux.

1. Fermez le robinet d'eau froide. Enlevez le joint du tuyau d'arrivée du joint de l'embout de la valve de remplissage (froid).
2. S'assurez que le joint plat en caoutchouc soit en place et attachez le raccord femelle du tuyau court sur le joint de l'embout de la valve de remplissage. Serrez fermement à la main.
3. Attachez l'embout mâle de l'embout en « Y » à l'autre raccord femelle du tuyau court. S'assurez que le joint plat en caoutchouc soit en place. Serrez fermement à la main.



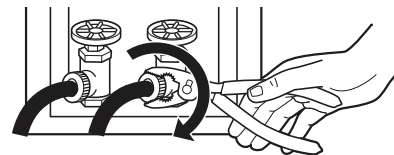
4. Insérez la crépine dans le raccord du joint du tuyau d'arrivée. Si un joint plat en caoutchouc est déjà en place, enlevez-le avant d'installer la crépine. Attachez cet embout à un embout mâle et à l'embout en « Y ». Serrez fermement à la main.
5. S'assurez que le joint plat en caoutchouc soit en place et attachez le tuyau long de la sècheuse à un embout mâle de l'embout en « Y ». Serrez fermement à la main.
6. S'assurez que le joint plat en caoutchouc soit en place et attachez l'autre embout du long tuyau d'arrivée de la sècheuse à l'embout de la valve de remplissage au bas du panneau arrière de la sècheuse. Serrez fermement à la main.

### RACCORDER LES TUYAUX D'ARRIVÉE (sur certains modèles (suite))



7. Serrez tous les raccords de deux tiers de tour supplémentaire à l'aide d'une pince.

**NOTE :** Ne serrez pas trop. Cela peut endommager les tuyaux.



8. Ouvrez le robinet.
9. Vérifiez s'il y a des fuites autour de l'embout en « Y », du robinet ou des raccords de tuyaux.

### EXIGENCES RELATIVES À L'ALIMENTATION EN EAU

Les robinets d'eau chaude et d'eau froide DOIVENT être installés à moins de 42 po (107 cm) de l'arrivée d'eau de votre laveuse. Les robinets DOIVENT être de 3/4 po (1.9 cm) du type qu'on utilise comme tuyau d'arrosage pour que les tuyaux d'arrivée puissent être raccordés. La pression de l'eau DOIT se situer entre 10 et 120 livres par pouce carré. Votre département de l'urbanisme de votre municipalité peut vous conseiller au sujet de la pression de votre eau.

**NOTE :** Un adoucisseur d'eau est recommandé pour réduire l'accumulation de dépôt à l'intérieur du générateur de vapeur si l'alimentation en eau de la maison est très dure.

# Instructions d'Installation

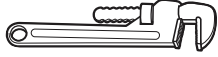
## RACCORDER UNE SÈCHEUSE À GAZ (omettre pour sècheuses électriques)

### OUTILS DONT VOUS AUREZ BESOIN

- Clés à molette de 10" (2)
- Tournevis plat



- Clé à tuyau de 8"



- Niveau

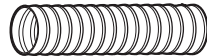


- Pince à joint coulissant



### MATÉRIAUX DONT VOUS AUREZ BESOIN

- Coude en métal de 4" de diam.
- Conduit de métal flexible homologué UL de 4" de diam. (au besoin)



- Pâte à joint ou ruban PTFE



- Gants



- Embout de conduit de gaz flexible



- Solution savonneuse détecter les fuites



- Brides de conduit (2) ou Pincettes à ressort (2)



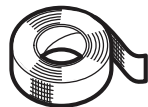
- Capuchon d'évent



- Lunettes de sécurité



- Ruban adhésif



- Conduit de métal de 4" de diam. (recommandé)

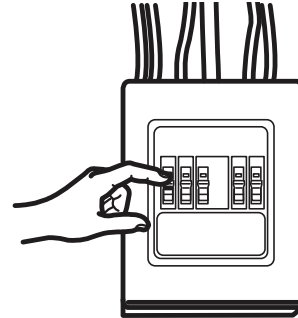


- Embouts de tuyau de gaz (2), coude et bouchon de tuyau

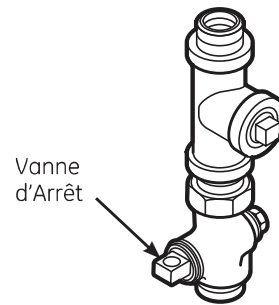
- Plaque de Recouvrement de 4" (Ensemble WE49X22606)



Avant de commencer l'installation, fermez le(s) disjoncteur(s) ou enlevez le(s) fusible(s) du circuit de la sècheuse de la boîte électrique. Assurez-vous que le fil de la sècheuse soit débranché du mur.



Tournez la vanne d'arrêt du gaz de la sècheuse à la position « OFF ».



Débranchez et jetez les vieux embouts de gaz flexibles et le matériel des conduits.



# Instructions d'Installation

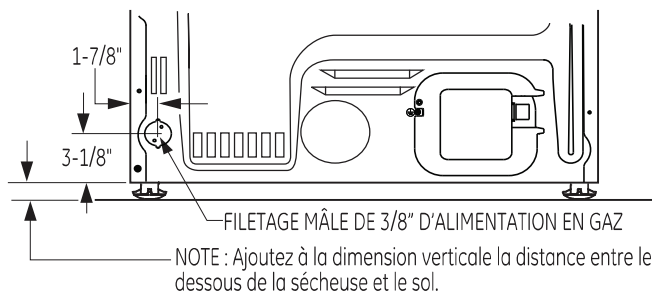
## RACCORDER UNE SÈCHEUSE À GAZ (omettre pour sècheuses électriques) (suite)

### EXIGENCES RELATIVES AU GAZ

#### **⚠ AVERTISSEMENT** - Risque d'Explosion

- Utilisez un nouveau conduit flexible d'alimentation gaz approuvé internationalement CSA. Ne jamais réutiliser de vieux embouts flexibles.
  - Installez une valve d'arrêt manuelle individuelle dans les 6ft. de la sècheuse conformément au Code national du gaz combustible, ANSI Z223.1 / NFPA 54.
  - Serrez fermement tous les embouts de gaz.
  - Si raccordez au gaz propane (GPL), demandez à une personne qualifiée de vous assurer que la pression du gaz ne dépasse pas 13" de la colonne d'eau.
  - Des exemples de personnes qualifiées incluent: techniciens autorisés en chauffage, techniciens autorisés de la compagnie de gaz, et techniciens autorisés en entretien.
  - La non-observance de la présente directive peut entraîner la mort, une explosion, ou un incendie.
- L'installation doit être conforme avec la réglementation locale, ou faute de réglementation locale, avec le code américain relatif au gaz combustible, ANSI Z223.1/NFPA 54, ou le code d'installation de gaz naturel et propane, CSA B149.1.

### CONNEXION DE L'ALIMENTATION EN GAZ



- Avec cette sècheuse, vous devez utiliser un embout flexible en métal (embout ANSI Z21.24/CSA 6.10). La longueur de la connexion de doit pas dépasser 3 pi.

### ALIMENTATION DE GAZ

- Un bouchon de tuyau de norme américaine relative aux filetages coniques, accessible pour le raccordement d'une jauge de test, doit être installé immédiatement en amont de la connexion l'approvisionnement en gaz de la sècheuse. Contactez votre fournisseur local de gaz si vous avez des questions au sujet de l'installation du bouchon de tuyau.
- Le conduit d'alimentation doit être constitué d'un tuyau rigide de 1/2" et équipé d'une vanne d'arrêt accessible à moins de 6 pieds et se trouvant dans la même pièce que la sècheuse.
- Utilisez un composé de tuyau fileté approprié pour le gaz naturel ou gaz propane (GPL) ou utilisé du ruban PTFE.
- Raccordez l'embout en métal flexible à la sècheuse et à l'alimentation en gaz.

#### **⚠ ADVERTISSEMENT** - Risque d'incendie

#### UTILISEZ DU GAZ NATUREL SEULEMENT

La sècheuse, telle que produite par le fabricant, doit être utilisée uniquement avec une source de gaz naturel. Un kit de conversion fourni par le fabricant est nécessaire pour convertir cette sècheuse pour une alimentation en gaz propane. Utilisez le kit de conversion de gaz propane WE25X217. La conversion doit être effectuée par du personnel dûment formé et qualifié conformément aux codes et ordonnances locaux.

### AJUSTEMENT À L'ALTITUDE

- La saisie des données des sècheuses à gaz est basée sur le niveau de la mer et n'a pas besoin d'être ajustée pour être utilisé à moins de 2000 pieds d'altitude. Pour une utilisation à plus de 2000 pieds, la saisie des données devra être réduite de 4 pourcent pour chaque tranche de 1000 pieds au-dessus du niveau de la mer.
- L'installation doit être conforme à la réglementation locale et aux exigences ou, faute de, le code américain relatif au gaz combustible, ANSI Z223.

# Instructions d'Installation

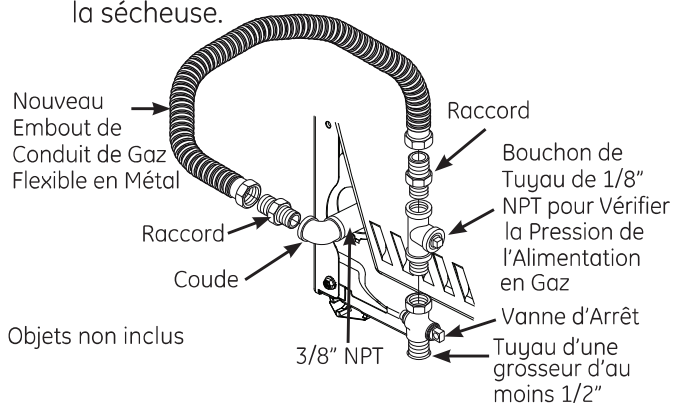
## RACCORDEMENT À L'ALIMENTATION EN GAZ DE LA SÉCHEUSE

- A** Installez un coude femelle de 3/8" NPT au bout du tuyau d'arrivée de la sécheuse.

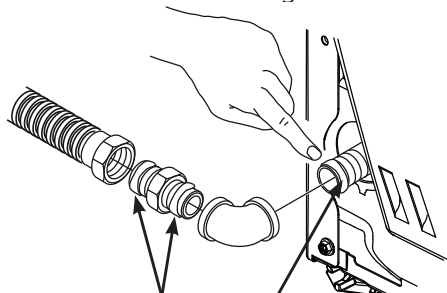
Installez un raccord union de 3/8" au coude femelle.

**IMPORTANT :** Utilisez une clé à tuyau pour tenir fermement le bout du tuyau d'arrivée de la sécheuse l'empêchant ainsi de s'entortiller.

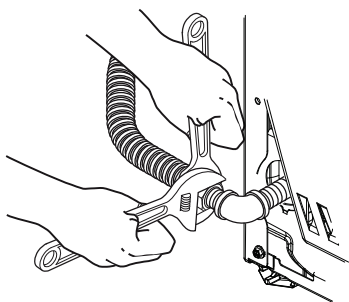
**NOTE :** Appliquez de la pâte à joint ou du ruban PTFE aux fils du raccord et au tuyau d'arrivée de la sécheuse.



- B** Raccordez l'embout en métal flexible du conduit d'alimentation en gaz au raccord



- C** Serrez l'embout de conduit de gaz flexible en utilisant deux clés à molette.

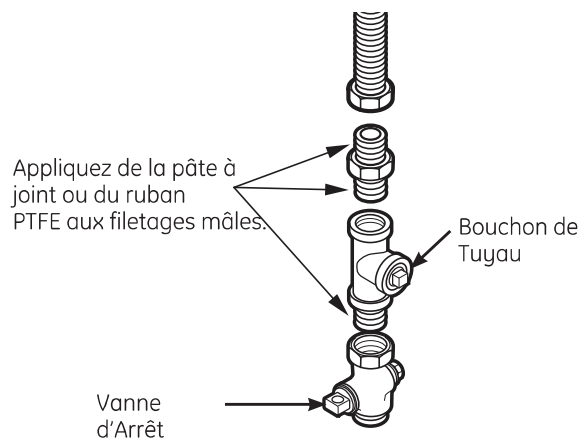


## RACCORDEMENT À L'ALIMENTATION EN GAZ DE LA SÉCHEUSE (suite)

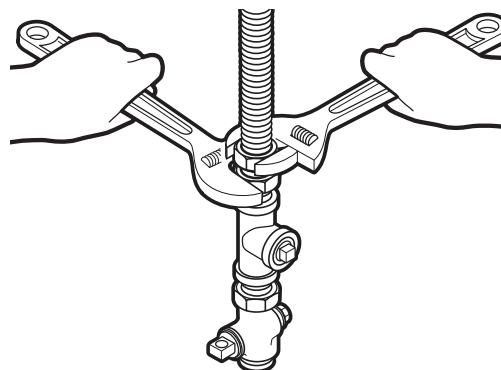
- D** Installez un bouchon de tuyau de 1/8" NPT à la vanne d'arrêt de la sécheuse pour vérifier la pression de l'alimentation en gaz.

Installez un raccord union au bouchon de tuyau.

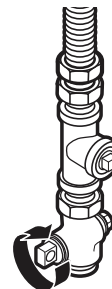
**NOTE:** Apply pipe compound or PTFE tape to the threads of the adapter and plugged tapping.



- E** Serrez toutes les connexions en utilisant deux clés à molette. Ne serrez pas trop.



- F** Ouvrir la vanne d'arrêt de gaz.



# Instructions d'Installation

## RACCORDER UNE SÈCHEUSE À GAZ (omettre pour sècheuses électriques) (suite)

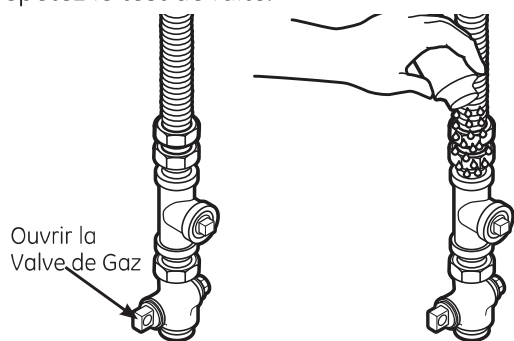
### VÉRIFIEZ S'IL Y A DES FUITES

Ne jamais utiliser une flamme vive pour vérifier s'il y a des fuites de gaz.

Avec une solution savonneuse ou l'équivalent, vérifiez toutes les connexions pour détecter toute fuite.

Appliquez la solution de savon. La solution pour la détection de fuites ne doit pas contenir d'ammoniaque qui pourrait endommager les raccords en laiton.

S'il y a fuite, fermez la valve, resserrez le joint et répétez le test de fuite.



### INFORMATION RELATIVE AU RACCORDEMENT ÉLECTRIQUE DE LA SÈCHEUSE À GAZ

#### **⚠ AVERTISSEMENT** Risque de Choc Électrique

Branchez dans une prise électrique à 3 trous avec une mise à la terre.

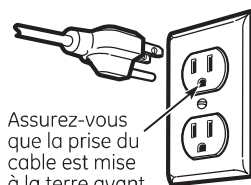
**NE PAS enlever la broche pour la mise à la terre.**

**NE PAS utiliser d'adaptateur.**

**NE PAS utiliser de rallonge électrique.**

La non-observance de la présente directive peut entraîner la mort, un incendie ou un choc électrique.

- Circuit - Nécessite un disjoncteur individuel, polarisé et mis à la terre, de 15 ou 20 ampères ou un fusible à retardement
- Alimentation électrique - 2 fils plus connexion à la terre, 120 volts, monophasé, 60 Hz, courant alternatif.
- Prise de sortie - Récepteur à 3 broches correctement ancré pour être positionné de sorte que le cordon d'alimentation soit accessible lorsque la sècheuse est en position installée. Si un réceptacle à 2 broches est présent, il est de la responsabilité du propriétaire de demander à un électricien agréé de le remplacer par une prise de mise à la terre à 3 broches correctement mise à la terre.



Assurez-vous que la prise du câble est mise à la terre avant de l'utiliser.

### INFORMATION RELATIVE AU RACCORDEMENT ÉLECTRIQUE DE LA SÈCHEUSE À GAZ (suite)

- La sècheuse doit être mise à la terre électriquement conformément aux codes et aux ordonnances locales, ou en l'absence de codes locaux, à la dernière édition du CODE ÉLECTRIQUE NATIONAL, ANSI / NFPA NO. 70 ou CODE ÉLECTRIQUE CANADIEN, CSA C22.1. Vérifiez auprès d'un électricien autorisé si vous n'êtes pas sûr que la sècheuse est correctement mise à la terre.

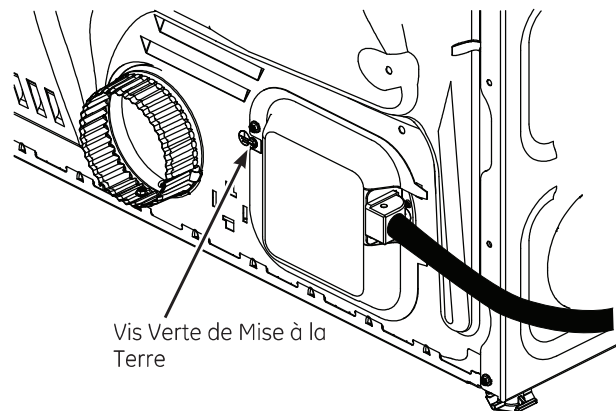
### INSTRUCTIONS DE MISE À LA TERRE

Cette sècheuse doit être mise à la terre. En cas de dysfonctionnement ou de panne, la mise à la terre réduira le risque de choc électrique en fournissant un chemin de moindre résistance pour le courant électrique. Cette sècheuse utilise un cordon doté d'un conducteur de mise à la terre et d'une fiche de mise à la terre. La fiche doit être branchée à une prise appropriée correctement installée et mise à la terre conformément à tous les codes et ordonnances locaux.

**⚠ AVERTISSEMENT** Une connexion incorrecte du conducteur de mise à la terre peut entraîner un risque de choc électrique. Vérifiez auprès d'un électricien qualifié, d'un représentant ou du personnel du service si vous avez des doutes quant à savoir si l'appareil est correctement mis à la terre. **NE PAS** modifier la fiche du cordon d'alimentation. Si cela ne correspond pas à la sortie, faites installer une prise appropriée par un électricien qualifié.

**GARDEZ CES INSTRUCTIONS.**

- Si requis par les codes locaux, un fil de terre de cuivre externe de calibre 18 ou plus (non fourni) peut être ajouté. Attachez-le à la sècheuse avec une vis pour tôle # 8-18 x 1/2 po (disponible dans n'importe quelle quincaillerie) à l'arrière de la sècheuse comme illustré.



# Instructions d'Installation

## RACCORDEMENT D'UNE SÈCHEUSE ÉLECTRIQUE

(Omettre pour les sècheuses à gaz et si votre sècheuse à déjà un fil électrique)

### OUTILS DONT VOUS AUREZ BESOIN



Pince à joint coulissant



Tournevis Phillips



Tournevis plat



Niveau

### MATÉRIAUX DONT VOUS AUREZ BESOIN



Coude en métal de 4" de diam.



Gants



Étrier de décharge de traction de 3/4" (homologué UL)



Capuchon d'évent



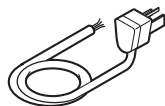
Brides de conduit de 4" (2) ou pinces à ressort de 4" (2)



Ruban adhésif



Lunettes de sécurité



Ensemble de fil électrique pour sècheuse (non fourni avec la sècheuse) homologué UL 120/240V, 30A avec 3 ou 4 broches. Identifiez le type de prise de courant de la maison avant d'acheter le cordon électrique.



Conduit de métal de 4" de diam. (recommandé)

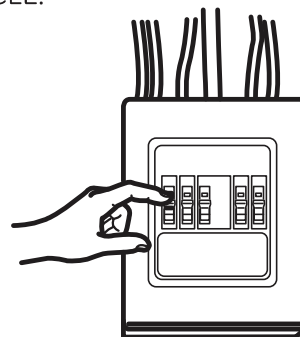


Conduit de métal flexible homologué UL de 4" de diam. (au besoin)



Plaque de Recouvrement de 4" (Ensemble WE49X22606)

Avant de faire l'installation électrique, fermez le(s) disjoncteur(s) ou enlevez le(s) fusible(s) du circuit de la sècheuse de la boîte électrique. Assurez-vous que le fil de la sècheuse soit débranché au mur. NE JAMAIS LAISSER LE BOITIER DE TERMINAL SANS COUVERCLE.



# Instructions d'Installation

## RACCORDEMENT D'UNE SÈCHEUSE ÉLECTRIQUE (suite) (Omettre pour les sècheuses à gaz)

### INFORMATION RELATIVE AU RACCORDEMENT ÉLECTRIQUE DE LA SÈCHEUSE ÉLECTRIQUE

Pour les connexions électriques à l'aide d'un fil électrique :

#### **AVERTISSEMENT** - Risque d'Incendie

Utilisez un nouveau fil d'alimentation électrique pour sècheuse homologué UL de 240V 30A avec des cosses rondes fermées ou des cosses en fourche avec extrémités relevées

Utilisez un étrier de décharge de traction homologué UL. Coupez le courant avant de faire des connexions électriques.

Branchez le fil neutre (blanc ou avec le centre blanc) à la borne centrale.

Le fil de terre (vert ou dénudé) doit être raccordé au connecteur de terre vert.

Raccordez les deux autres fils d'alimentation aux deux autres bornes centrales.


Serrez fermement toutes les connexions électriques.

Remettre le couvercle du boîtier de terminal.

La non-observance de la présente directive peut entraîner la mort, un incendie ou un choc électrique.

### INSTRUCTIONS DE LA MISE À LA TERRE

**Pour une sècheuse reliée à la terre et connectée par un cordon :** Cette sècheuse doit être mise à la terre. En cas de mauvais fonctionnement ou de panne, la mise à la terre réduira le risque de choc électrique en offrant un parcours de moindre résistance pour le courant électrique. Cette sècheuse est munie d'un cordon ayant un conducteur de mise à la terre d'équipement et d'une fiche de mise à la terre. La fiche de courant doit être branchée dans une prise électrique qui est correctement installée et reliée à la terre conformément à la réglementation locale et aux exigences.

 **AVERTISSEMENT** Un raccordement incorrect du conducteur de mise à la terre d'équipement peut entraîner un risque de choc électrique. Vérifiez avec un électricien qualifié, un technicien ou le personnel de maintenance, lorsque vous êtes incertain si votre appareil est correctement relié à la terre. NE PAS modifier la fiche du fil d'alimentation électrique. Si la fiche ne rentre pas dans la prise électrique, faites installer une prise électrique adéquate par un électricien qualifié.

**GARDEZ CES INSTRUCTIONS**

### INFORMATION RELATIVE AU RACCORDEMENT ÉLECTRIQUE DE LA SÈCHEUSE ÉLECTRIQUE

Pour les raccordements directs :

#### **AVERTISSEMENT** - Risque d'Incendie

Utilisez un fil de cuivre de calibre 10.

Utilisez un étrier de décharge de traction homologué UL.

Coupez le courant avant de faire des connexions électriques.

Branchez le fil neutre (blanc ou avec le centre blanc) à la borne centrale.

Le fil de terre (vert ou dénudé) doit être raccordé au connecteur de terre vert.

Raccordez les deux autres fils d'alimentation aux deux autres bornes centrales.

Serrez fermement toutes les connexions électriques.

Remettre le couvercle du boîtier de terminal.

La non-observance de la présente directive peut entraîner la mort, un incendie ou un choc électrique.

### INSTRUCTIONS DE LA MISE À LA TERRE

**Pour une sècheuse raccordé en permanence :** Cette sècheuse doit être raccordé à un système de câblage permanent en métal relié à la terre, ou un conducteur relié à la terre doit être en fonction avec les conducteurs de circuit et raccordé à la borne de liaison à la terre ou la borne sur l'appareil.

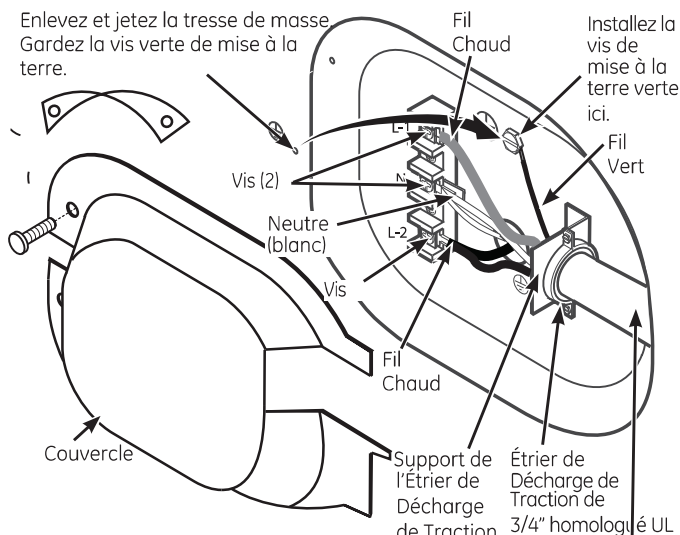
 **AVERTISSEMENT** Un raccordement incorrect du conducteur de mise à la terre peut entraîner un risque de choc électrique. Vérifiez avec un électricien qualifié, un technicien ou le personnel de maintenance, lorsque vous êtes incertain si votre appareil est correctement relié à la terre.

**GARDEZ CES INSTRUCTIONS**

# Instructions d'Installation

## RACCORDER UNE SÈCHEUSE EN UTILISANT UN RACCORDEMENT À 4 FILS (DOIT ÊTRE UTILISÉ POUR UNE INSTALLATION DANS UNE MAISON MOBILE)

**NOTE :** Depuis le 1er janvier 1996, le code national de l'électricité impose aux nouvelles constructions d'utiliser un raccordement à 4 fils pour les sècheuses électriques. Un cordon à 4 fils doit aussi être utilisé où la réglementation locale ne permet pas la mise à la terre par l'entremise du fil neutre. Un raccordement à 3 fils NE doit PAS être utilisé dans une nouvelle construction.



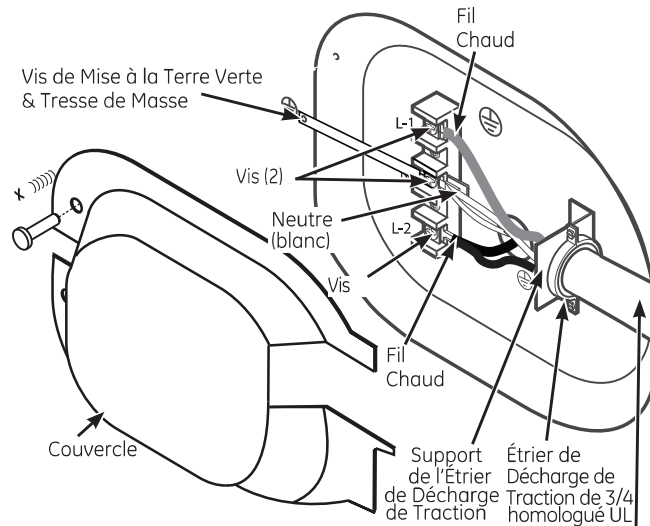
4 conducteurs de cuivre #10 AWG ou l'ensemble de cordon électrique pour sècheuse de 120/240V 30A et de cosses rondes fermées ou des cosses en fourche avec extrémités relevées (non inclus).

1. Fermez le(s) disjoncteur(s) (30A) ou enlevez le fusible du circuit de la boîte électrique.
2. Assurez-vous que le fil de la sècheuse soit débranché de la prise électrique.
3. Enlevez la protection du fil électrique située à l'arrière, au bas.
4. Enlevez et jetez la tresse de masse. Gardez la vis verte de mise à la terre pour l'Étape 7.
5. Installez un étrier de décharge de traction de 3/4 po homologué UL au point de départ du fil électrique. Apportez le fil électrique par l'étrier de décharge de traction.
6. Raccordez le fil électrique comme suit :
  - A. Raccordez les deux lignes chaudes aux vis extérieures du bornier (marquées L1 et L2).
  - B. Raccordez la ligne neutre (blanche) au centre du bornier (marquée N).
7. Attachez le fil de mise à la terre du fil électrique avec la vis de mise à la terre verte (trou au-dessus du support de l'étrier de décharge de traction). Serrez fermement toutes les vis du bornier (3).
8. Fixez correctement le fil électrique à l'étrier de décharge de traction.
9. Réinstallez le couvercle.

**NE JAMAIS LAISSER LE BORNIER SANS COUVERCLE.**

## RACCORDER UNE SÈCHEUSE EN UTILISANT UN RACCORDEMENT À 3 FILS

Si nécessaire, par la réglementation locale, installez une mise à la terre externe (non incluse) au métal relié à la terre, au tuyau d'eau froide, ou à tout autre dispositif relié à la terre, établi par un électricien qualifié.



3 conducteurs de cuivre #10 AWG ou l'ensemble de cordon électrique pour sècheuse de 120/240V 30A et des cosses rondes fermées ou des cosses en fourche avec extrémités relevées (non inclus).

### Raccordement à 3 fils

Pas pour le Canada.

NE PAS installer dans une maison mobile.

NE doit PAS être utilisé dans une nouvelle construction.

NE doit PAS être utilisé dans un véhicule récréatif.

NE doit PAS être utilisé dans des endroits où la réglementation locale interdit la mise à la terre par l'entremise du fil neutre.

1. Fermez le(s) disjoncteur(s) (30A) ou enlevez le fusible du circuit de la boîte électrique.
2. Assurez-vous que le fil de la sècheuse soit débranché de la prise électrique.
3. Enlevez la protection du fil électrique située à l'arrière, au bas.
4. Installez un étrier de décharge de traction de 3/4 po homologué UL au point de départ du fil électrique. Apportez le fil électrique par l'étrier de décharge de traction.
5. Raccordez le fil électrique comme suit :
  - A. Raccordez les deux lignes chaudes aux vis extérieures du bornier (marquées L1 et L2).
  - B. Raccordez la ligne neutre (blanche) au centre du bornier (marquée N).
6. Assurez-vous que la tresse de masse soit connectée à la borne neutre (centre) et à la vis de mise à la terre à l'arrière de la sècheuse. Serrez fermement toutes les vis du bornier (3).
7. Fixez correctement le fil électrique à l'étrier de décharge de traction.
8. Réinstallez le couvercle.

**NE JAMAIS LAISSER LE BORNIER SANS COUVERCLE.**

# Instructions d'Installation

## ÉCHAPPEMENT DE LA SÉCHEUSE

### **AVERTISSEMENT** - Risque d'Incendie

CETTE sècheuse DOIT être ventilée vers l'extérieur.  
Utilisez uniquement un conduit de métal rigide de 4" pour raccorder la sècheuse à l'évent de la maison.

Utilisez uniquement un conduit de transition de métal rigide de 4" ou homologué UL pour raccorder la sècheuse à l'évent de la maison.

**NE PAS** utiliser d'évent en plastique.

**NE PAS** installer le conduit d'évacuation à l'intérieur d'une cheminée, d'une hotte de cuisine, d'un conduit de gaz, d'un mur, d'un plafond, d'un grenier, d'un vide sanitaire, ou d'un espace dissimulé d'un bâtiment.

**NE PAS** installer une grille à l'intérieur ou sur le conduit de l'évacuation.

**NE PAS** installer un ventilateur d'appoint dans le conduit d'échappement.

**NE PAS** utiliser de conduit plus long que ceux spécifiés dans le tableau de longueur des conduits.

Le non-respect des avertissements de sécurité exactement pourrait entraîner de graves dommages blessures, la mort ou des biens.

### OUTILS ET MATÉRIAUX DONT VOUS AUREZ BESOIN POUR INSTALLER L'ÉVENT

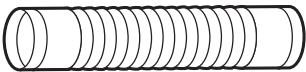
Tournevis cruciforme Phillips



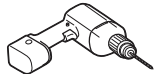
Ruban adhésif ou bride de conduit



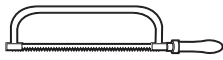
Conduit de métal flexible homologué UL ou rigide de 4" (10,2 cm)



Perçuse avec une mèche de forage de 1/8" (pour le bas de l'évent)



Scie à métaux



Capuchon d'évent



### PIÈCES DISPONIBLES DANS UN ORGANISME LOCAL

**PM8X85**

Hotte d'échappement extérieure

**PM08X10085**

Conduit flexible de 8 pieds en métal avec 2 colliers pour sècheuses.

**WX08X10130**

Collier pour conduits de 4 po pour sècheuse.

**WE49X22606**

Couvercle d'ouverture d'échappement arrière, pour sècheuses ventilées latéralement ou par en bas.

### RACCORDER LA SÉCHEUSE À L'ÉVENT

#### CONDUIT DE TRANSITION DE MÉTAL RIGIDE

- Pour de meilleures performances de séchage, un conduit de transition de métal rigide est recommandé.
- Les conduits de transition de métal rigides réduisent le risque d'écrasement et de noeuds.

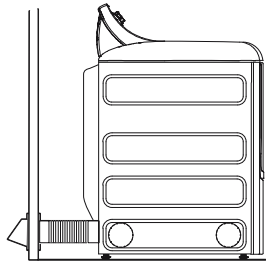
#### CONDUIT DE TRANSITION DE MÉTAL FLEXIBLE HOMOLOGUÉ UL POUR SÉCHEUSE

- Si un conduit de métal rigide ne peut être utilisé, alors un conduit de transition de métal flexible homologué UL pour sècheuse (pièces GE appliances - PM08X10085, peut être utilisé.
- Ne jamais installer un conduit de transition dans un mur, plafond, plancher ou tout autre espace clos.
- La longueur totale du conduit de transition ne doit pas dépasser 8" (2.4 m).
- Pour plusieurs fonctions, l'installation de coudes aussi bien à la sècheuse qu'au mur est fortement recommandé (voir l'illustration à gauche). Les coudes permettent à la sècheuse de rester près du mur sans plier et/ou écraser le conduit de transition, maximisant ainsi les performances de séchage.
- Évitez de placer le conduit sur des objets tranchants.

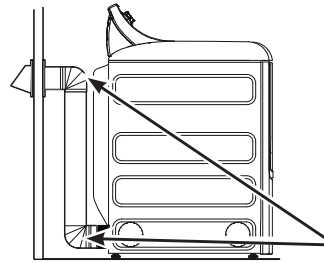
#### CONDUIT DE TRANSITION DE MÉTAL FLEXIBLE HOMOLOGUÉ UL (DE TYPE FEUILLE MÉTALLIQUE)

- Lors d'installations spéciales, il peut être nécessaire de raccorder la sècheuse à l'évent de la maison en utilisant un conduit de transition de métal flexible (de type feuille métallique). Un conduit de transition flexible homologué UL pour sècheuse (pièces GE appliances PM8X73 ou WX8X73) peut être utilisé SEULEMENT pour les installations où un conduit de transition de métal rigide ou flexible ne peut être utilisé ET lorsqu'un diamètre de 4" doit être maintenu d'un bout à l'autre du conduit de transition.
- Au Canada et aux États-Unis d'Amérique, seulement les conduits de transition qui respectent le standard pour les **conduits de transition de sècheuses à linge homologué UL 2158A doivent être utilisés.**
- Évitez de placer le conduit sur des objets tranchants.
- Pour de meilleures performances de séchage :
  1. Glissez une extrémité du conduit sur le tuyau d'évacuation de la sècheuse.
  2. Fixez le conduit avec une bride.
  3. Lorsque la sècheuse sera positionnée en permanence, étirez le conduit à sa longueur maximale. Laissez 2" du conduit chevaucher le tuyau d'évacuation. Coupez et enlevez l'excès du conduit. Gardez le conduit aussi droit que possible pour maximiser le courant d'air.
  4. Fixez le conduit au tuyau d'évacuation avec l'autre bride.

# Instructions d'Installation

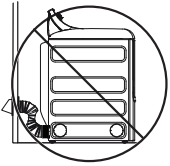


• **Coupez le conduit le plus court possible et installez-le droit dans le mur.**

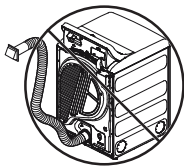


• **Utilisez des coudes pour les virages si nécessaire.**

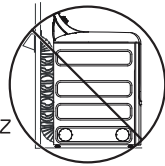
Coudes



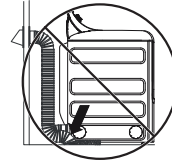
• **NE PAS plier le conduit.** Utilisez des coudes pour les virages si nécessaire.



• **NE PAS utiliser un tuyau d'évacuation d'une longueur excessive.** Coupez le conduit le plus court possible.



• **NE PAS écraser le conduit contre le mur.**



• **NE PAS installer la sècheuse sur le conduit.**

## LONGUEUR DES CONDUITS

Utiliser un conduit plus long que la longueur spécifiée :

- Augmentera le temps de séchage et le coût de l'énergie.
- Réduira la vie de la sècheuse.
- Accumulera des peluches, et créera un risque d'incendie potentiel.

**L'installation correcte du tuyau d'évacuation est VOTRE RESPONSABILITÉ.**

**Les problèmes résultant d'une installation incorrecte ne sont pas couverts par la garantie.**

La longueur MAXIMALE du tuyau d'évacuation dépend du type de conduit, du nombre de virages, du type de capuchon d'évent (capuchon de mur) et de toutes les conditions notées dans le graphique.

- Les coudes intérieurs ajoutés pour les conversions d'évent latérales ou inférieures doivent être inclus dans le calcul total de coudes.
- Chaque coude de plus de 45° doit être traité comme un coude de 90°.
- Deux coudes à 45° seront traités comme un coude à 90°.
- Pour chaque coude additionnel de 90°, réduire de 10 pieds la longueur du conduit d'évacuation.
- En calculant la longueur totale du conduit d'évacuation, vous devez ajouter toutes les portions droites et coudes du système (incluant le conduit de transition).

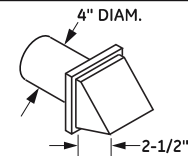
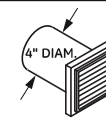
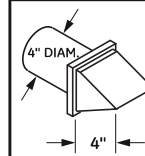
## LONGUEUR DES CONDUITS

### LONGUEUR MAXIMALE RECOMMANDÉE

#### Types de Capuchon d'Évent

Recommandé

Utiliser seulement pour des installations à court terme



Numéros de Coudes 90°	LONGUEUR MAXIMALE RECOMMANDÉE	
	Métal Rigide	Métal Rigide
0	120 Pieds	90 Pieds
1	100 Pieds	75 Pieds
2	85 Pieds	65 Pieds
3	70 Pieds	55 Pieds
4	60 Pieds	45 Pieds
5	55 Pieds	35 Pieds

# Instructions d'Installation

## ÉCHAPPEMENT DE LA SÈCHEUSE (suite)

### LISTE DE CONTRÔLE DU SYSTÈME D'ÉCHAPPEMENT

#### CAPUCHON D'ÉVENT OU DE MUR

- Il termine ainsi pour empêcher le retour d'air ou l'entrée d'oiseaux ou d'animaux nuisibles.
- L'évent offrira une résistance minimale à l'air évacué et exigera peu ou pas d'entretien pour empêcher l'obstruction.
- Les capuchons de mur doivent être installés au moins à 12" au-dessus du niveau du sol ou tout autre obstacle avec l'ouverture vers le bas.

#### SÉPARATION DE VIRAGES

- Pour de meilleures performances, séparez tous les coudes par un conduit droit d'au moins 4 pi, incluant la distance entre le dernier coude et l'évent.

#### SCELLAGE DE JOINTS

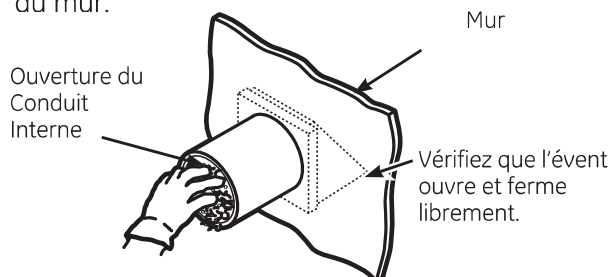
- Tous les joints doivent être serrés afin d'éviter les fuites. L'extrémité mâle de chaque section du conduit doit pointer à l'opposé de la sècheuse.
- Les joints du conduit doivent être scellés avec du ruban adhésif ou du ruban d'aluminium pour être hermétiques et étanches.
- Ne pas attacher le conduit avec une vis qui se prolonge à l'intérieur du conduit. Ces vis permettent l'accumulation de peluches, créant un risque potentiel d'incendie.
- Les trajets horizontaux doivent descendre vers l'extérieur de 1/4" par pied.
- Prévoyez un accès pour l'inspection et le nettoyage du système d'évacuation, plus particulièrement au niveau des virages et des joints. Le système d'évacuation doit être inspecté et nettoyé au moins une fois par année.

#### ISOLATION

- Le conduit qui traverse un espace non chauffée ou qui est près d'un système de climatisation doit être isolé afin de réduire la condensation et l'accumulation de peluches.

### AVANT DE COMMENCER

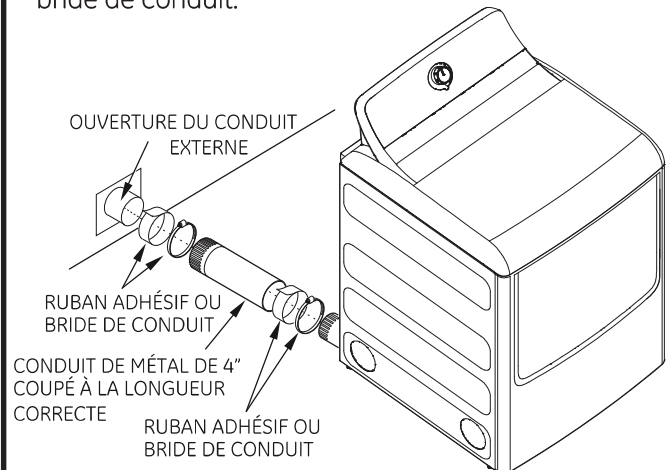
- Enlevez et jetez les conduits de plastique ou de feuille métallique et replacez-les par des conduits homologués UL.
- Enlevez les peluches de l'ouverture d'évacuation du mur.



### ÉCHAPPEMENT ARRIÈRE STANDARD

Nous vous recommandons que vous installiez votre sècheuse avant d'installer votre laveuse. Ceci permettra l'accès direct à un meilleur raccord de l'échappement.

Glissez le bout du conduit d'évacuation à l'arrière de la sècheuse et serrez-le avec du ruban adhésif ou une bride de conduit.

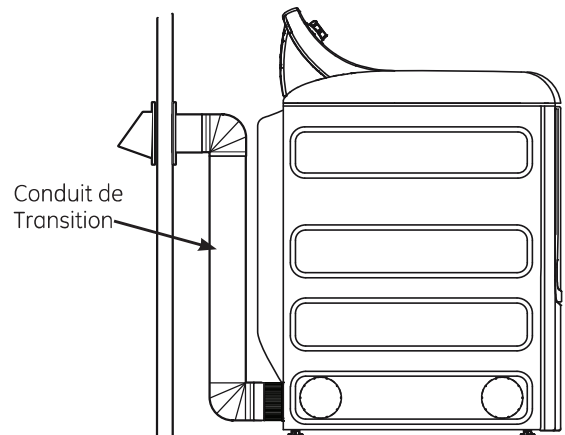


**NOTE :** Nous vous recommandons fortement d'utiliser un conduit d'évacuation en métal rigide. Cependant, si un conduit flexible est utilisé, il doit être de métal homologué UL, et non de plastique.

- Pour une installation en ligne droite, raccordez l'échappement de la sècheuse au mur, en utilisant du ruban adhésif ou une bride de conduit.

### CONFIGURATION RECOMMANDÉE POUR MINIMISER L'OBSTRUCTION DE L'ÉCHAPPEMENT

L'utilisation de coudes empêchera le conduit de plier et de s'effondrer.



# Instructions d'Installation

## ÉCHAPPEMENT LATÉRAL OU INFÉRIEUR

L'Échappement de la Sécheuse est à droite pour les modèles Électriques seulement.

L'Échappement de la Sécheuse est à gauche pour les modèles à Gaz et Électriques.

L'Échappement de la Sécheuse est en dessous pour les modèles à Gaz et Électriques.

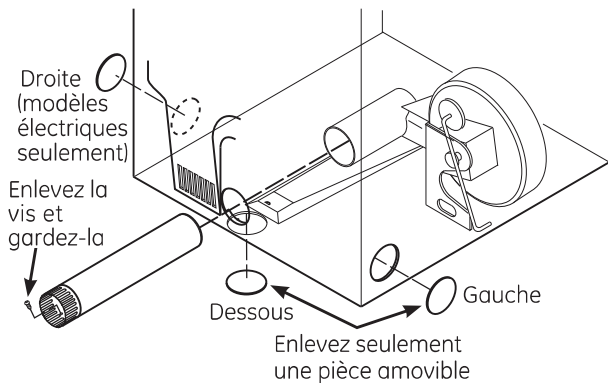
### **AVERTISSEMENT** - Risque d'Incendie

Fermez l'ouverture arrière avec une plaque de recouvrement (Ensemble WE1M454).

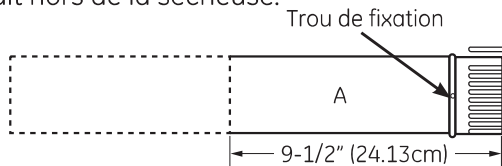
Débranchez la sécheuse de l'approvisionnement électrique.

Portez des gants et des protège-bras.

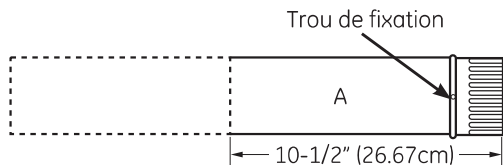
La non-observance de la présente directive peut entraîner un incendie, un choc électrique ou des lacerations.



Détachez et enlevez la pièce amovible de droite (seulement sur les modèles électriques), gauche ou dessous. Enlevez la vis à l'intérieur du tuyau d'évacuation de la sécheuse et gardez-la. Tirez conduit hors de la sécheuse.

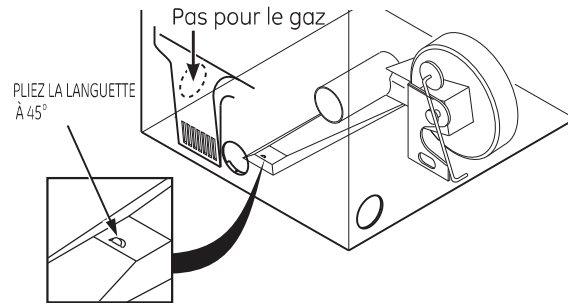


Pour les modèles GTD60, GTD65, GTD68 et GTD75 seulement, utilisez les dimensions ci-dessous.



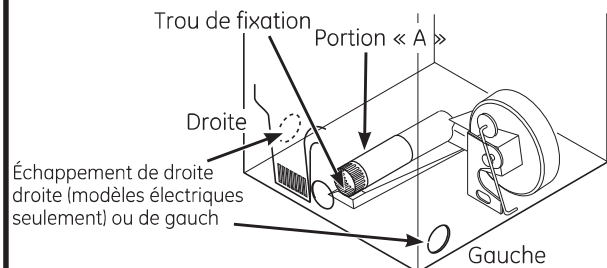
Coupez le conduit et gardez la portion A comme indiqué.

## SITE DE LA LANGUETTE



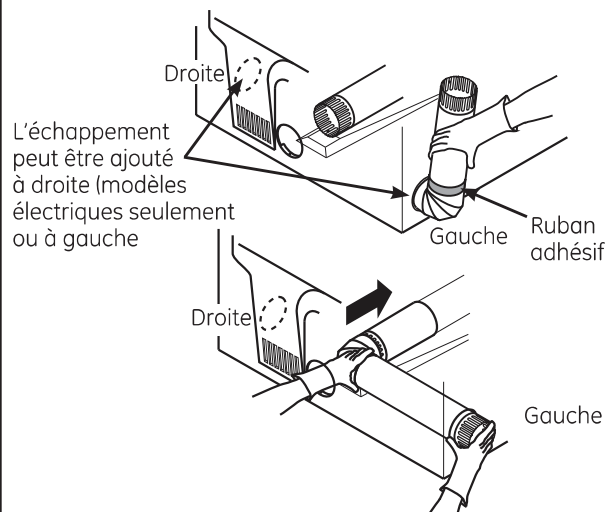
Par l'ouverture arrière, repérez la languette au milieu de la base de l'appareil. Levez la languette jusqu'à environ 45°, en utilisant un tournevis plat.

## AJOUTER UN NOUVEAU CONDUIT



Rebranchez la portion coupée (A) du conduit au boîtier de ventilateur. Assurez-vous que le conduit raccourci soit aligné avec la base de la languette. Utilisez la vis mise de côté précédemment pour fixer le conduit à la languette sur la base de l'appareil.

## AJOUTER DES COUDES ET CONDUITS À L'ÉCHAPPEMENT LATÉRAL DE LA SÉCHEUSE



- Pré-assemblez les coudes de 4" avec le conduit de 4". Enveloppez le joint avec du ruban adhésif.
- Insérez le conduit assemblé, le coude en premier, dans l'ouverture latérale et raccordez le coude au conduit interne de la sécheuse.

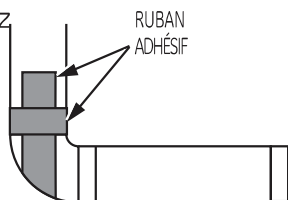
**Assurez-vous de ne pas tirer ou endommager les fils électriques à l'intérieur de la sécheuse en insérant le conduit.**

## ÉCHAPPEMENT DE LA SÈCHEUSE (suite)

### ÉCHAPPEMENT LATÉRAL OU INFÉRIEUR (suite)

#### AJOUTER DES COUDES ET CONDUITS À L'ÉCHAPPEMENT LATÉRAL DE LA SÈCHEUSE

- Comme indiqué, appliquez du ruban adhésif sur le joint entre le conduit interne de la sècheuse et le coude ainsi que sur le joint entre le coude et le conduit latéral.

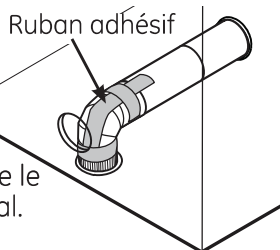


Utilisez un conduit de métal rigide de 4" à l'intérieur de la sècheuse. Les joints internes de conduits doivent être serrés avec du ruban, sans quoi ils peuvent se séparer et provoquer un danger pour la sécurité.

#### AJOUTEZ UN COUDE POUR L'ÉCHAPPEMENT PAR LE DESSOUS DE LA SÈCHEUSE

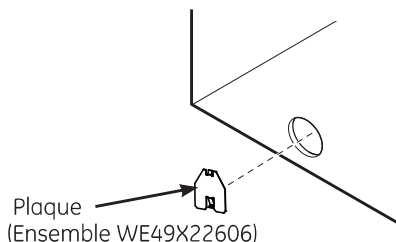
- Insérez le coude par l'ouverture arrière et raccordez-le au conduit interne de la sècheuse.

- Comme indiqué, appliquez du ruban adhésif sur le joint entre le conduit interne de la sècheuse et le coude ainsi que sur le joint entre le coude et le conduit latéral.



Les joints de conduits internes doivent être scellés avec du ruban adhésif sinon ils peuvent se séparer et provoquer un danger pour la sécurité.

#### AJOUTER UNE PLAQUE DE RECouvreMENT À L'ARRIÈRE DE LA SÈCHEUSE



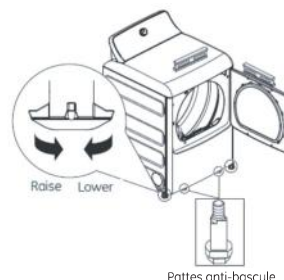
Raccordez les coudes et conduits de métal pour compléter le système d'évacuation. Couvrez l'ouverture arrière avec une plaque (Ensemble WE49X22606) disponible chez votre fournisseur de services local. Placez la sècheuse à son emplacement final.

**NE JAMAIS LAISSER L'OUVERTURE ARRIÈRE SANS LA PLAQUE (Ensemble WE49X22606)**

## CONFIGURATION FINALE

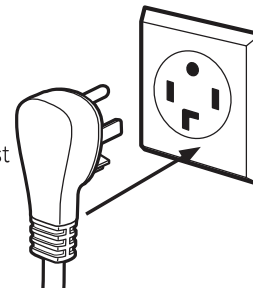
### 1 NIVELER LA SÈCHEUSE

Levez la sècheuse debout près de l'emplacement final et ajustez les pattes de nivellement situées dans les coins pour assurer que la sècheuse soit au niveau d'un côté à l'autre et du devant à l'arrière. Ensuite, réglez les deux pattes anti-bascule situées dans les coins avant, en prenant soin qu'elles touchent le plancher pour éviter que l'unité bascule. L'installation n'est pas complète tant et aussi longtemps que ce processus ne soit pas terminé.



### 2 BRANCHER LA SÈCHEUSE

Assurez-vous qu'une mise à la terre correcte est présente.



### 3 DÉMARRER LA SÈCHEUSE

Appuyez le bouton « Power ».



**NOTE** :Si la sècheuse a été exposée à des températures inférieures au point de congélation pendant une période prolongée, laissez-la se réchauffer avant d'appuyer sur « Power » sinon l'affichage n'apparaîtra pas. La sècheuse est maintenant prête à être utilisée.

## INVERSION DE PORTE

### À PROPOS DE L'INVERSION DE PORTE

#### NOTES IMPORTANTES :

- Lisez ces instructions au complet avant de commencer.
- Manipuler les pièces soigneusement pour éviter d'égratigner la peinture.
- Déposer les vis à côté des pièces correspondantes pour ne pas les utiliser aux mauvais endroits.
- Prévoyez une surface de travail qui ne raye pas les portes.
- Le temps normal pour compléter l'inversion de la porte battante de 30-60 minutes.

#### IMPORTANT :

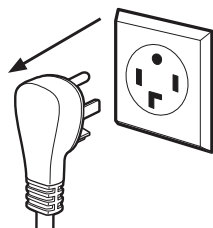
Une fois commencé, ne pas bouger la sècheuse jusqu'à ce que l'inversion de la porte battante soit complétée. Ces instructions sont pour changer les gonds du côté droit au côté gauche - si vous désirez revenir au côté droit, suivez ces mêmes instructions et inversez toutes les références de gauche pour droite.

#### Outils nécessaires :

- Tournevis #2 Phillips
- Couteau à mastic
- Tournevis plat

#### Avant de commencer

Débranchez la sècheuse de la prise électrique

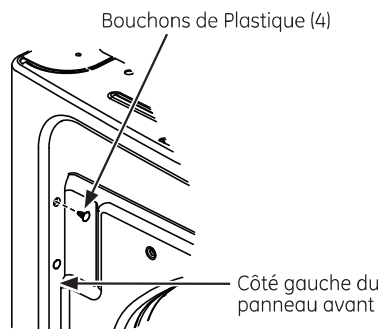


Choisissez les instructions INVERSION DE PORTE

**A** ou **B** pour votre modèle.

### **A** INVERSION DE PORTE - MODÈLE DE PORTE SOLIDE

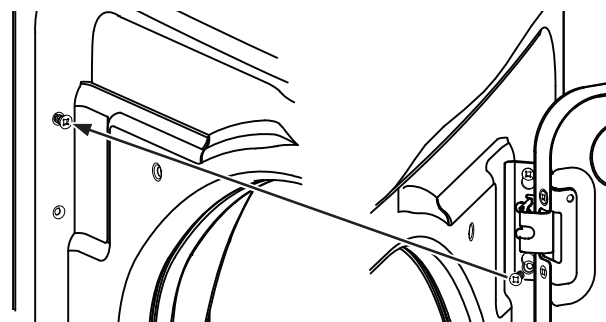
- 1 Ouvrez la porte d'environ 130 degrés. Avec un couteau à mastic, enlevez et gardez les 4 bouchons de plastique situés le long du côté gauche sur l'avant du panneau.



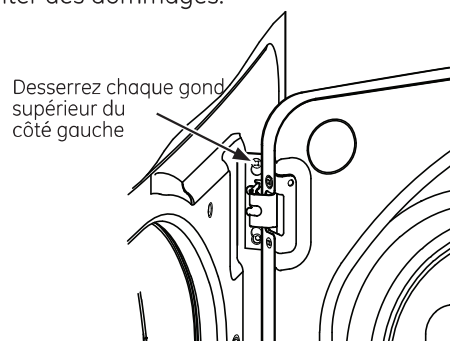
### **A** INVERSION DE PORTE - MODÈLE DE PORTE SOLIDE (suite)

- 2 Enlevez les vis du bas de chaque gond (côté droit) et les insérez partiellement dans chaque trou de gond du côté gauche en haut.

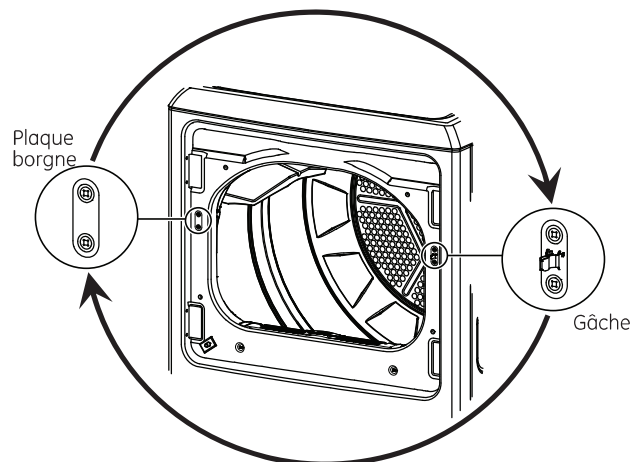
**NOTE :** Toutes les vis à charnières seront dans les deux gonds supérieurs - 2 à gauche et 2 à droite.



- 3 Desserrez chaque gond supérieur du côté gauche. Enlevez la porte et placez-la sur une surface plane pour éviter des dommages.



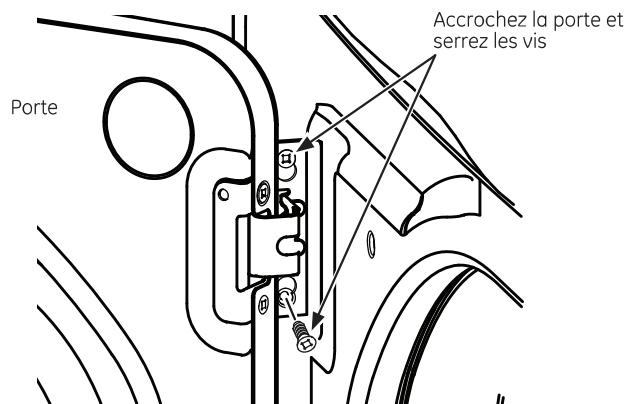
- 4 Enlevez les deux plaques borgnes et la gâche et installez-les dans les positions opposées.



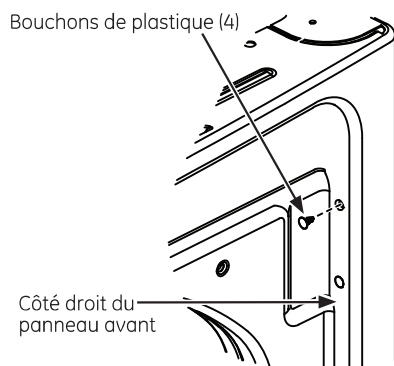
## INVERSION DE PORTE (suite)

### A INVERSION DE PORTE - MODÈLE DE PORTE SOLIDE (suite)

- 5 Assemblez la porte à gauche sur les deux vis charnières supérieures installées à l'étape 2. Déplacez les vis charnières desserrées à l'étape 2 dans les trous de vis au bas du côté gauche et serrez fermement les 4 vis.



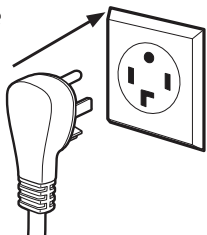
- 6 Installez les 4 bouchons de plastique enlevés à l'étape 1 dans les 4 trous du côté droit du panneau avant.



**NOTE :** Pour retourner la porte à son installation originale, suivez ces instructions en échangeant « gauche » et « droite ».

#### Quand vous avez terminé

Branchez la sècheuse à nouveau dans la prise électrique.

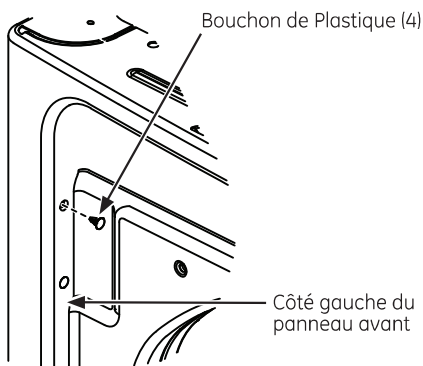


# Instructions d'Installation

## INVERSION DE PORTE

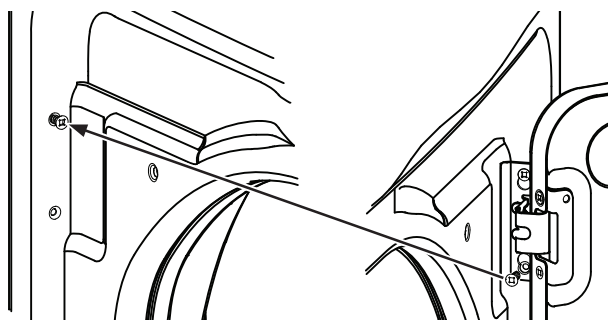
### B INVERSION DE PORTE - MODÈLE DE PORTE EN VERRE

- 1 Ouvrez la porte d'environ 130 degrés. Avec un couteau à mastic, enlevez et gardez les 4 bouchons de plastique situés le long du côté gauche sur l'avant du panneau.

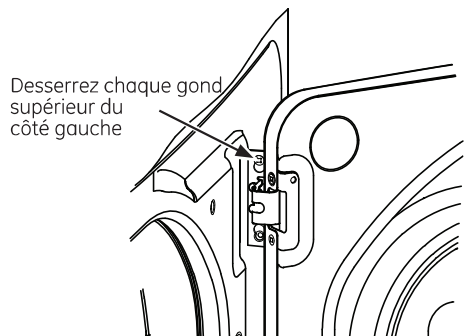


- 2 Enlevez les vis du bas de chaque gond (côté droit) et les insérez partiellement dans chaque trou de gond du côté gauche en haut.

**NOTE :** Toutes les vis charnières seront dans les deux gonds supérieurs - 2 à gauche et 2 à droite.

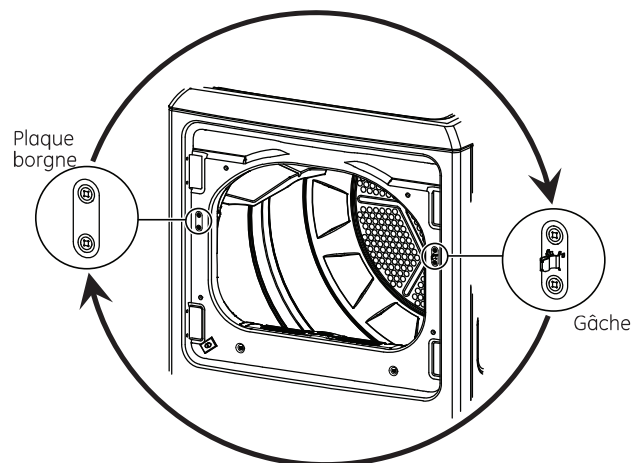


- 3 Desserrez chaque gond supérieur du côté gauche. Enlevez la porte et placez-la sur une surface plane pour éviter des dommages.

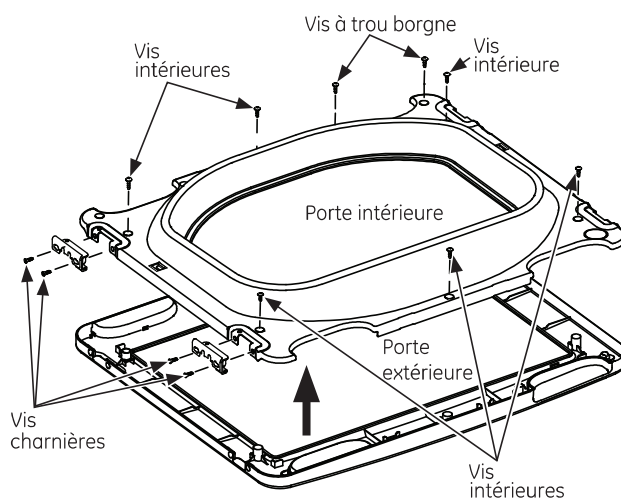


### B INVERSION DE PORTE - MODÈLE DE PORTE EN VERRE (suite)

- 4 Remove both the blind plate and the strike plate and install them in the opposite positions.



- 5 Enlevez les 4 vis charnières, les 6 vis intérieures et les 2 vis à trou borgne. Soulevez la porte intérieure vers le haut en utilisant un tournevis plat.

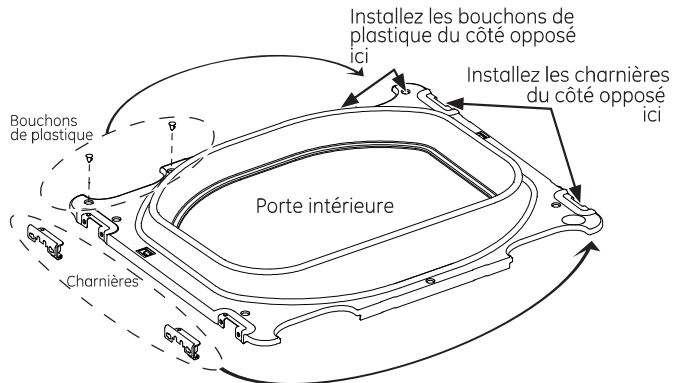


# Instructions d'Installation

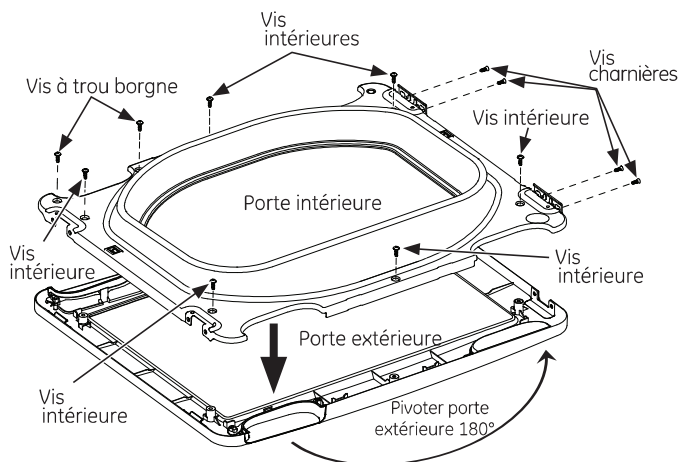
## INVERSION DE PORTE (suite)

### B INVERSION DE PORTE - MODÈLE DE PORTE EN VERRE (suite)

- 6 Enlevez et échangez les 2 bouchons de plastique et les deux gonds.

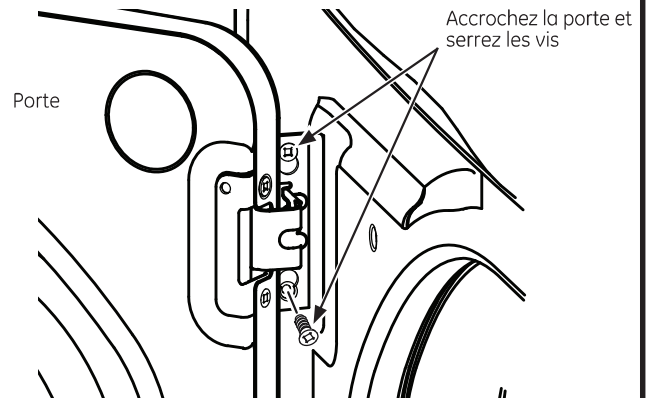


- 7 Faire pivoter la porte extérieure de 180 degrés, monter la porte intérieure dans le cadre de la porte extérieure et fixer avec les vis enlevées à l'étape 5. Assurez-vous de monter les charnières du côté opposé au trou borgne.

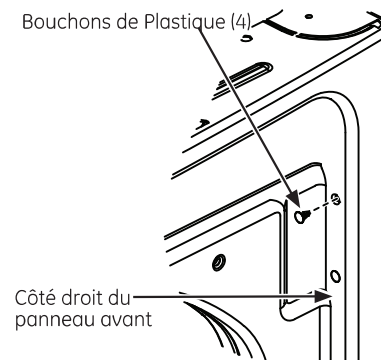


### B INVERSION DE PORTE - MODÈLE DE PORTE EN VERRE (suite)

- 8 Assemblez la porte à gauche sur les deux vis charnières supérieures installées à l'étape 2. Déplacez les vis charnières, desserrées à l'étape 3, dans les trous de vis au bas du côté gauche et serrez fermement les 4 vis.



- 9 Installez les 4 bouchons de plastique enlevés à l'étape 1 dans les 4 trous du côté droit du panneau avant.



**NOTE :** Pour retourner la porte à son installation d'origine, suivez ces instructions, en échangeant « gauche » et « droite ».

### Quand vous avez terminé

Branchez la sècheuse dans la prise électrique.

